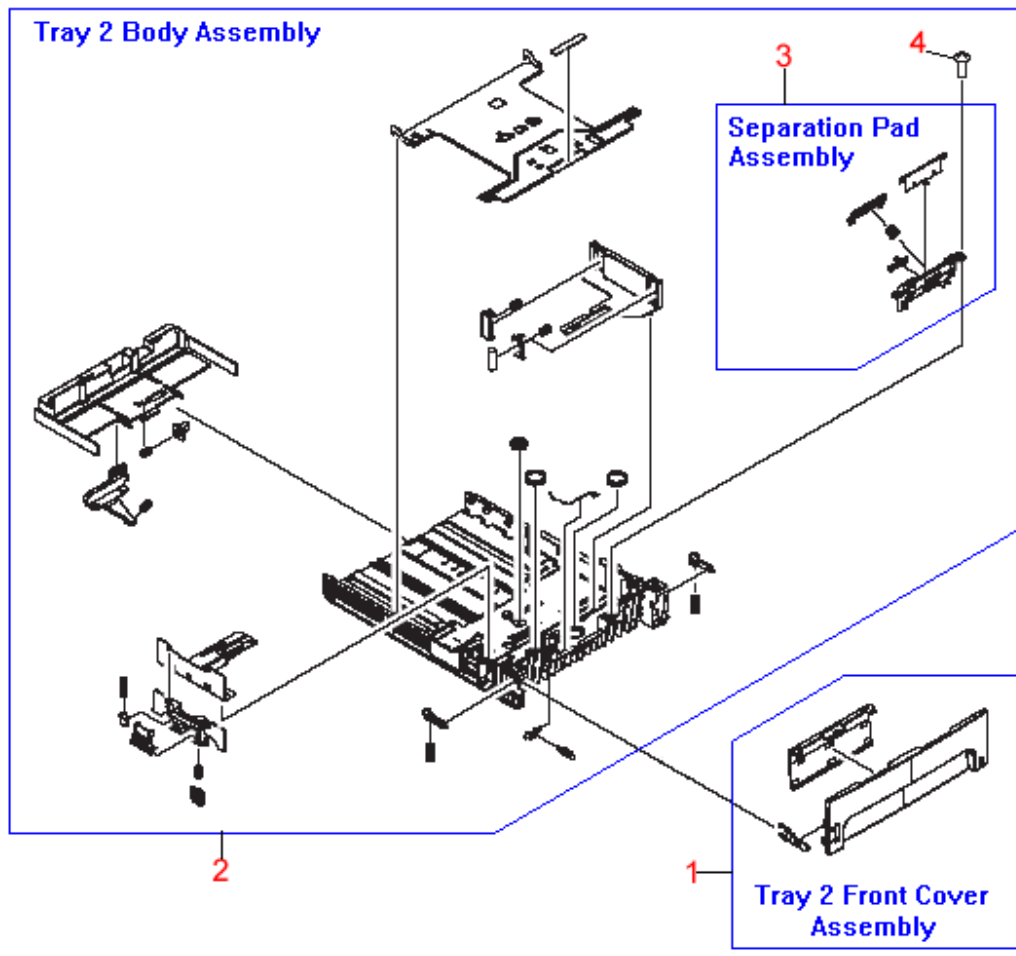


## HP LaserJet 1320 250-Sheet Tray Assembly (Tray 2) Diagram



<b>REF</b>	<b>PART #</b>	<b>DESCRIPTION</b>
<b>1</b>	RM1-1293	Tray front cover assembly – Mounts to the front of tray 2
<b>2</b>	RM1-1294	250-sheet (tray 2) body assembly - Includes everything except for the tray front cover assembly
<b>3</b>	RM1-1298	Tray 2 separation pad assembly - Includes the pad on a spring loaded arm in a holder frame - Mounts toward the front of the tray
<b>4</b>	XB4-7400	Tapping screw - M4 X 8mm - Used to mount the separation pad assembly in the 250-sheet tray assembly (two used)