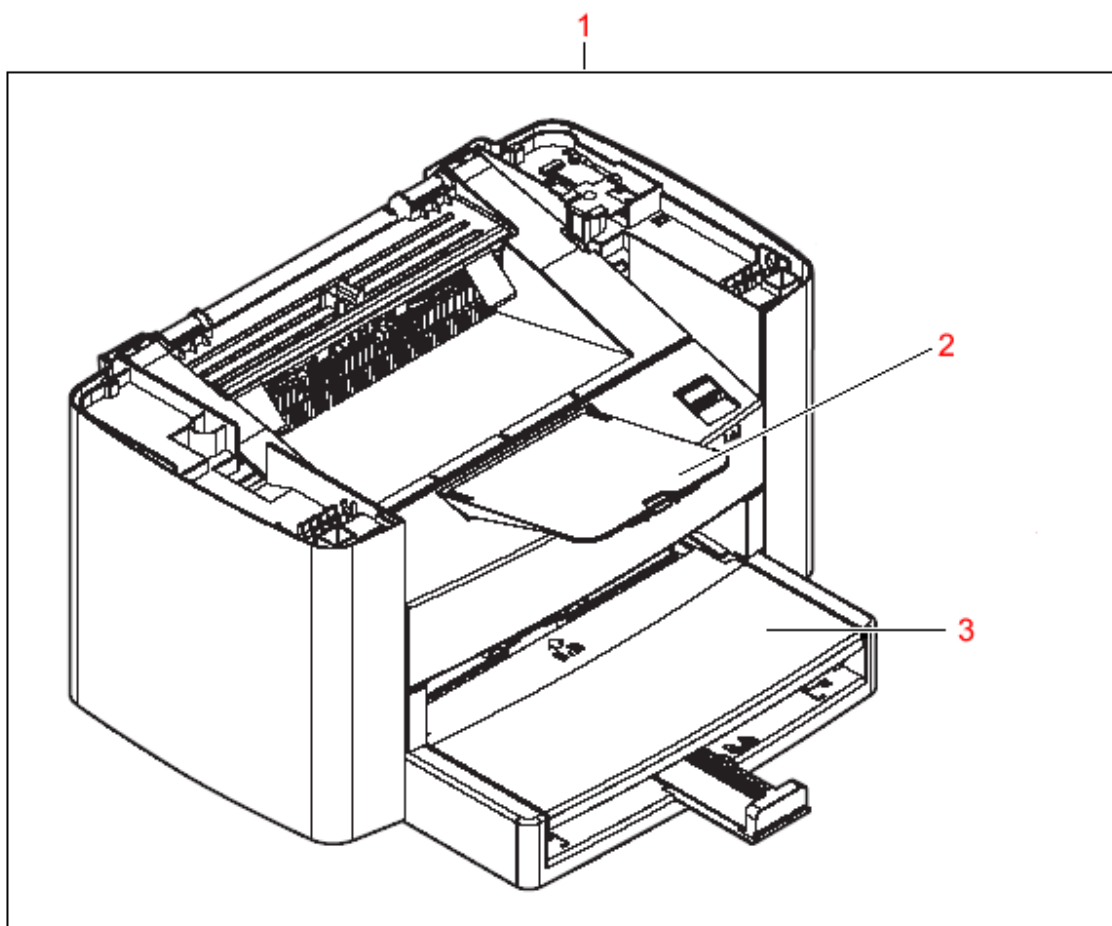


Base Assembly Diagram



REF	PART #	DESCRIPTION
1	Q2666-69001	Replacement LaserJet 3030 printer - This includes the print engine, scanner assembly, formatter board, and the LIU - For 110V to 127VAC operation
	Q2666-69002	Replacement LaserJet 3030 printer - This includes the print engine, scanner assembly, formatter board, and the LIU - For 220V to 240VAC operation
2	RM1-0859	Printer face-down output (delivery) tray assembly - Includes small flat tray with the pull-out extender - Mounts to the top front of the printer
3	RM1-0858	Printer paper input (pickup) tray assembly - Includes the U-shaped paper tray with the pull-out extender, paper stop, and translucent cover