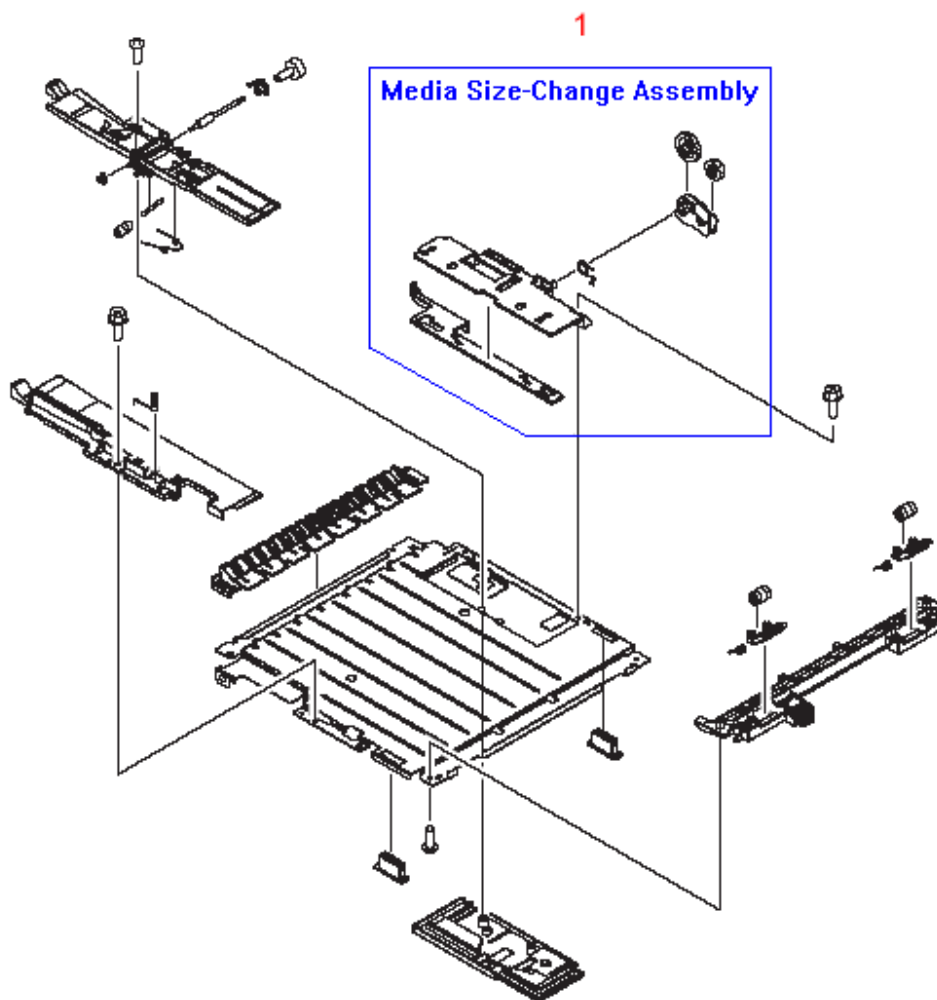


HP LaserJet 1320 Duplexer Assembly Diagram



REF	PART #	DESCRIPTION
1	RM1-1318	Duplexer paper size adjuster assembly - Includes the adjustment lever, holder bracket, and the two drive gears in a spring loaded arm - Mounts on the top right side of the duplexer assembly