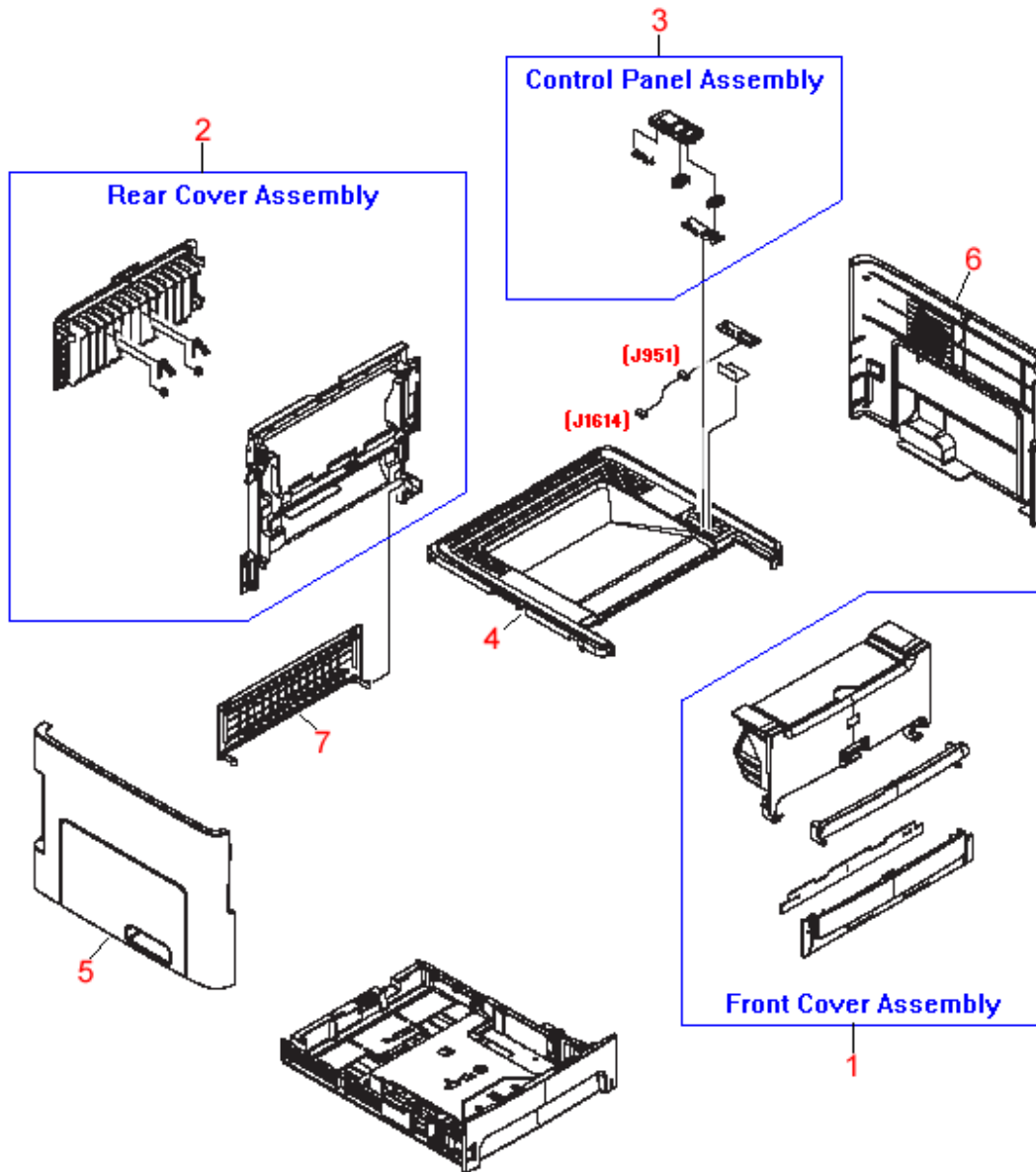


HP LaserJet 1320 External Covers Diagram



REF	PART #	DESCRIPTION
1	RM1-	Front cover set - Includes the toner cartridge access door, single sheet priority input slot

	1307	door, front cover (between tray 2 and the priority input slot), and the noise absorber
2	RM1-1308	Rear cover assembly - Includes the rear cover bezel and fold down face-up (or straight through) paper output tray (Tray is NOT sold separately)
3	RM1-1312	Control panel assembly - Includes the control panel bezel, 'Go' and 'Cancel' buttons, LED light pipe, and shield plate (PC board NOT included) - Mounts on the right side of the top cover
4	RC1-3800	Top cover assembly - Has face-down paper output tray molded into it
5	RC1-3812	Left side printer cover - Has molded-in bezel for the interface port connectors (On the formatter board)
6	RC1-3814	Right side cover assembly - Has molded-in air intake louvers
7	RC1-3819	Rear access door assembly - For adding or removing the duplexer assembly from the printer - Mounts to the lower portion of the rear cover assembly