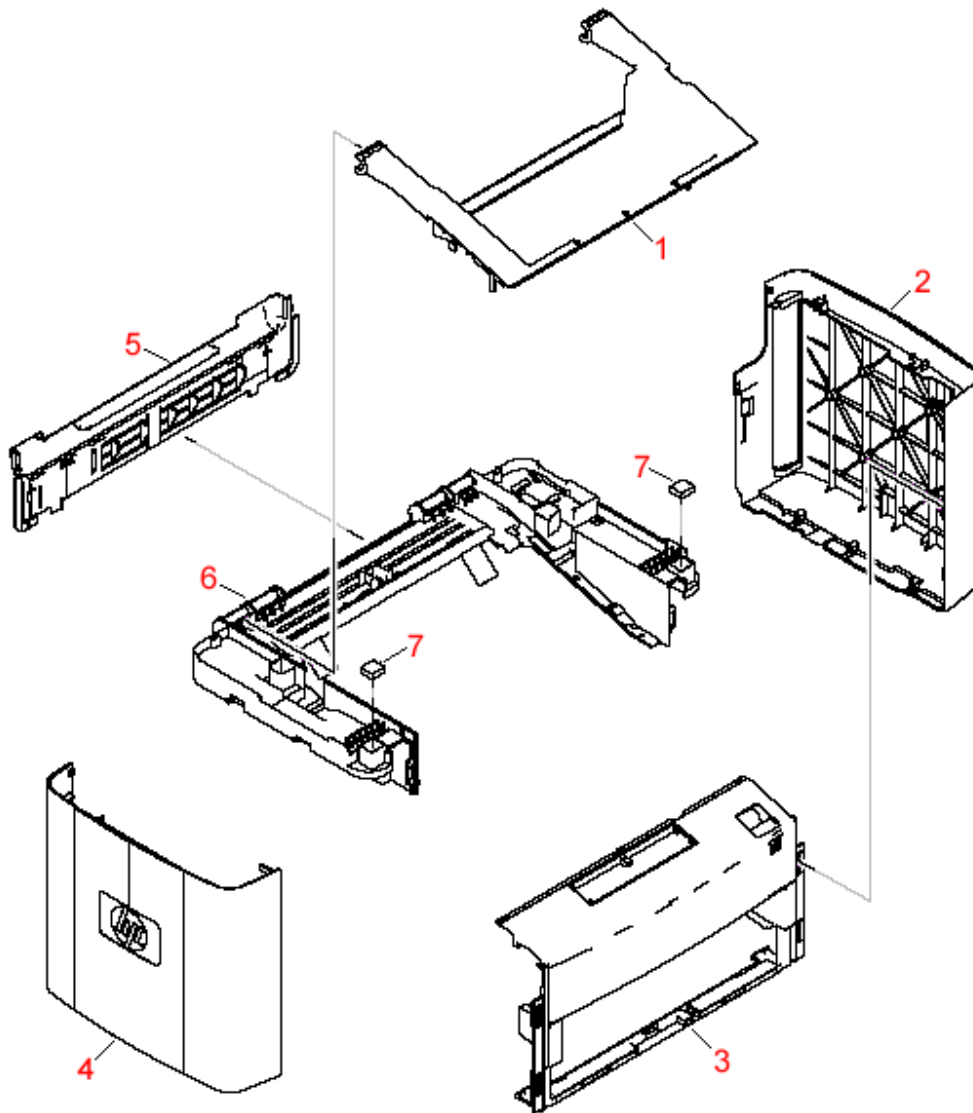


HP LaserJet 3030 All-In-One Printer External Covers Diagram



REF	PART #	DESCRIPTION
1	RC1-2473	Toner cartridge access door - Hinged lift-up plate on top of the printer - Lifts up with the scanner assembly for toner cartridge access
2	RC1-2472	Right side cover assembly - Slightly curved plastic cover with the HP logo molded into it - Has cutout for the rear panel interface connectors
3	RL1-0358	Front cover assembly - Has cutouts for the toner cartridge door release button, and paper input tray assembly
4	RC1-2471	Left side cover assembly - Slightly curved plastic cover with the HP logo molded into it - Has cutout for the rear panel power switch and power cord receptacle - Covers the power supply assembly
5	RC1-2474	Upper rear cover assembly - Small plastic cover that protects the fusing assembly - Mounts on the top rear of the printer - Has air louvers for ventilation
6	RL1-0359	Scanner support frame - C-shaped plastic frame that mounts to the top of the printer - Has rear hinge pins for the top cover and scanner assembly, and recesses for the scanner link arms, lift springs and cushions
7	RC1-2476	Scanner cushion - Square foam pieces that cushion the scanner when locked in place - Mount in the square front recesses on the scanner frame assembly