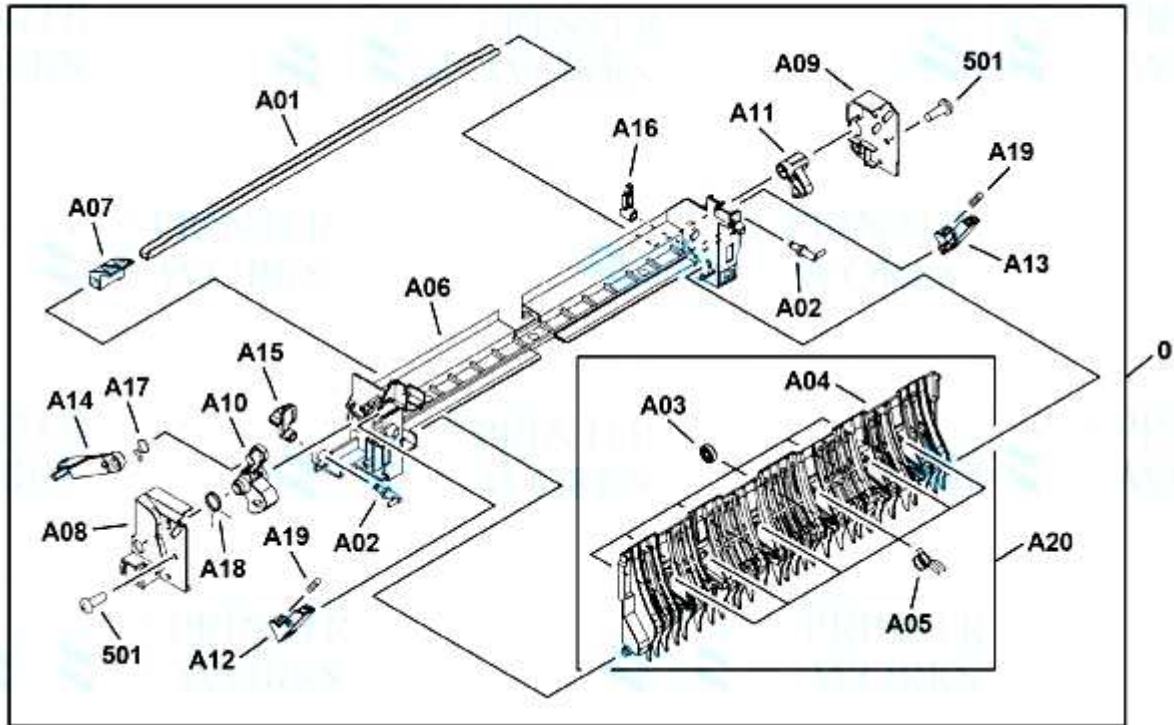


# LaserJet M5025/M5035 MFP



## PARTS TABLE

Item Number	Part Number	Description	Printer Compatibility Notes
225-0	<a href="#">RM1-2973-000</a>	Fuser Pressure Release Ass'y	LaserJet M5025/M5035mfp Series
225-A01	N/A	Shaft, Pressure Release	LaserJet M5025/M5035mfp Series
225-A02	N/A	Shaft, Lock	LaserJet M5025/M5035mfp Series
225-A03	N/A	Roller	LaserJet M5025/M5035mfp Series
225-A04	N/A	Guide, Intermediate	LaserJet M5025/M5035mfp Series
225-A05	N/A	Spring, Torsion	LaserJet M5025/M5035mfp Series

225-A06	N/A	Frame, Pressure Release	LaserJet M5025/M5035mfp Series
225-A07	N/A	Cam, Intermediate Guide	LaserJet M5025/M5035mfp Series
225-A08	N/A	Plate, Fixed, Front	LaserJet M5025/M5035mfp Series
225-A09	N/A	Plate, Fixed, Rear	LaserJet M5025/M5035mfp Series
225-A10	N/A	Cam, Pressure Release, Front	LaserJet M5025/M5035mfp Series
225-A11	N/A	Cam, Pressure Release, Rear	LaserJet M5025/M5035mfp Series
225-A12	N/A	Arm, Pressure Release, Front	LaserJet M5025/M5035mfp Series
225-A13	N/A	Arm, Pressure Release, Rear	LaserJet M5025/M5035mfp Series
225-A14	N/A	Link, Pressure Release	LaserJet M5025/M5035mfp Series
225-A15	N/A	Lever, Front	LaserJet M5025/M5035mfp Series
225-A16	N/A	Lever, Rear	LaserJet M5025/M5035mfp Series
225-A17	N/A	Spring, Torsion	LaserJet M5025/M5035mfp Series
225-A18	N/A	Spring, Torsion	LaserJet M5025/M5035mfp Series
225-A19	N/A	Spring, Compression	LaserJet M5025/M5035mfp Series
225-A20	N/A	Intermediate Guide Ass'y	LaserJet M5025/M5035mfp Series