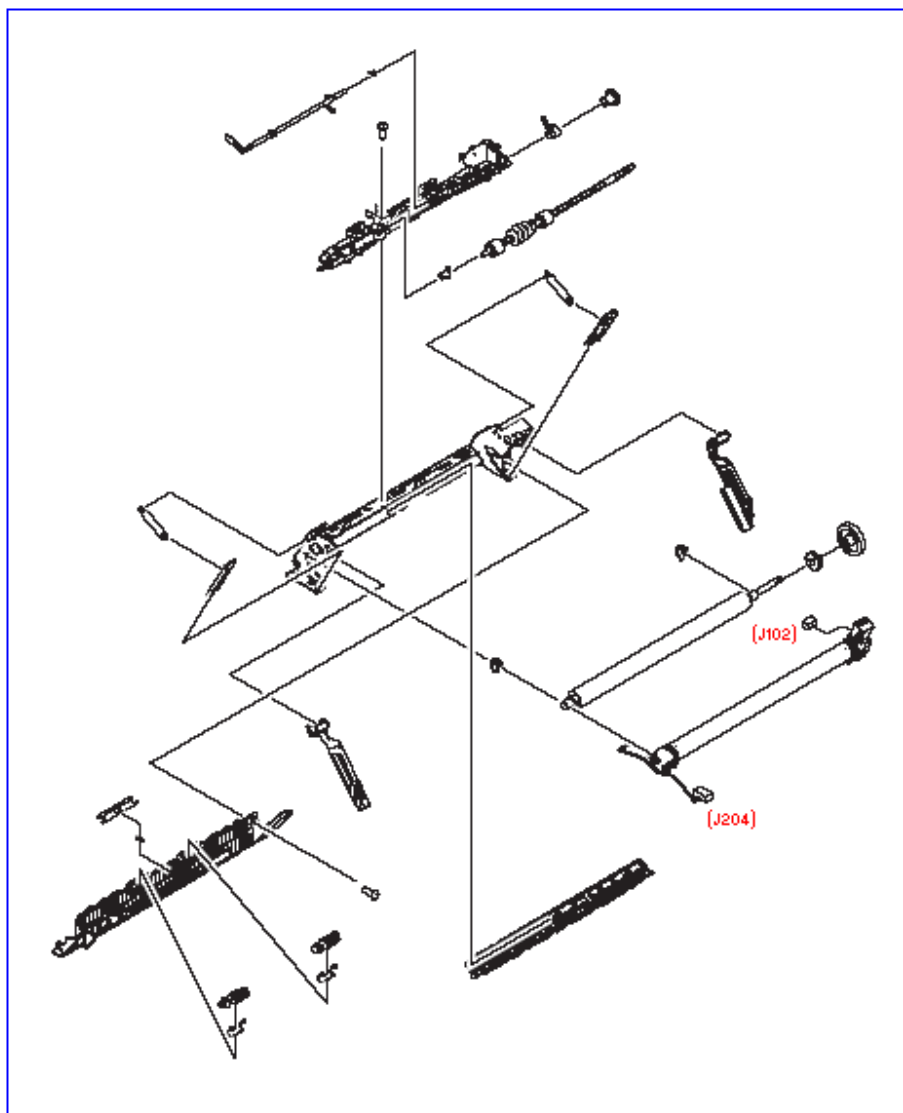


Fusing Assembly Diagram



REF	PART #	DESCRIPTION
1	RM1-0863	Fusing assembly - Bonds the toner to the paper with heat - For 220V to 240VAC operation - Mounts to the upper rear of the print engine assembly
	RM1-0865	Fusing assembly - Bonds the toner to the paper with heat - For 110V to 127VAC operation - Mounts to the upper rear of the print engine assembly