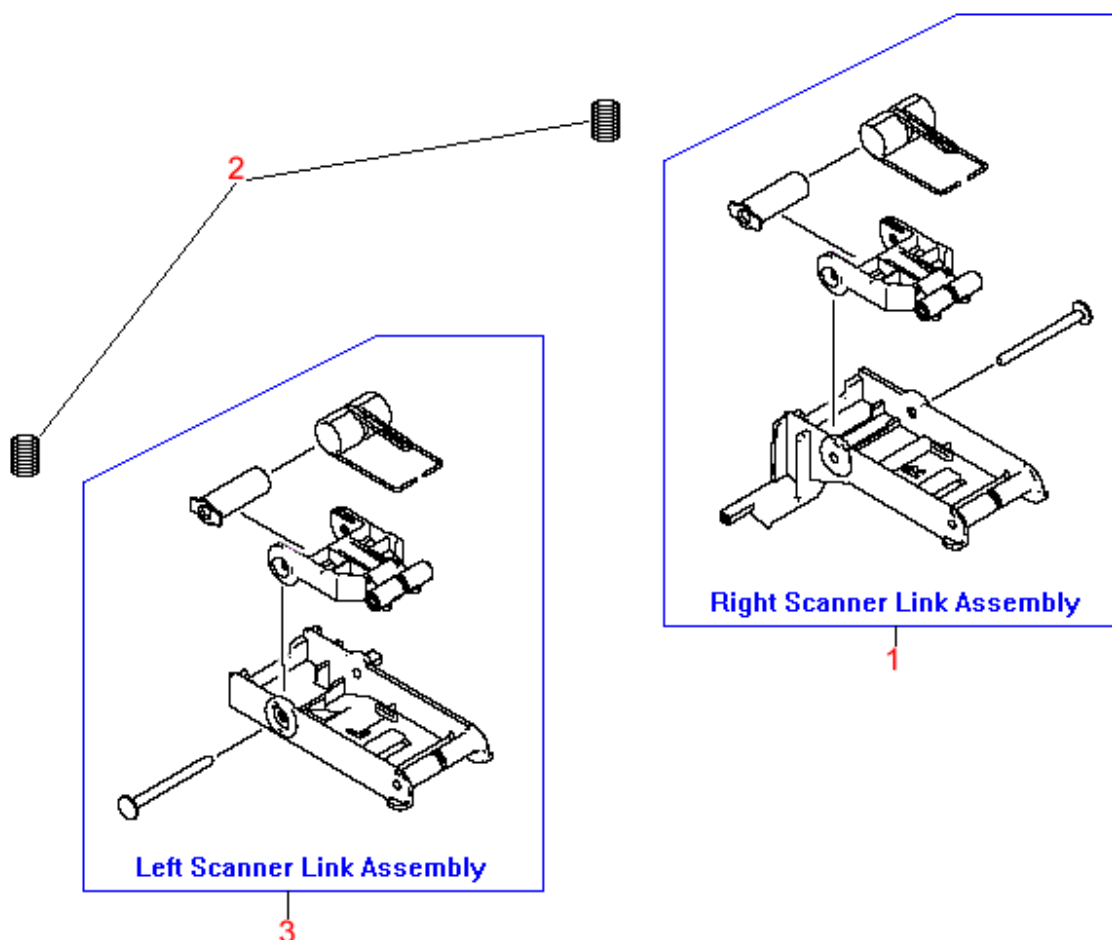


HP LaserJet 3030 All-In-One Printer Scanner Assembly - Link Assembly Diagram



REF	PART #	DESCRIPTION
1	RM1-0899	Right scanner link assembly - Connects between the top of the printer and the bottom of the scanner - Allows for limited tilting of the scanner assembly for toner cartridge access
2	RU5-2199	Compression spring - Mounts between the top of the printer (scanner frame) and the scanner base - Provides upward pressure to help lift up the scanner assembly when the toner cartridge door release button is pressed (two used)
3	RM1-0898	Left scanner link assembly - Connects between the top of the printer and the bottom of the scanner - Allows for limited tilting of the scanner assembly for toner cartridge access