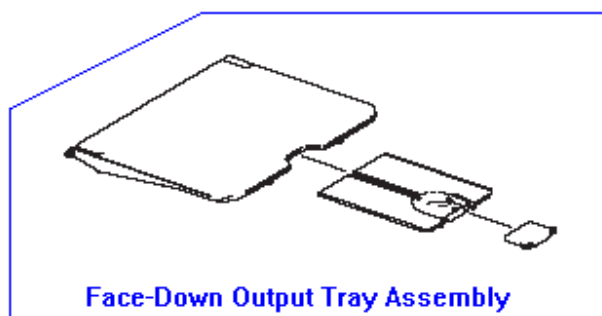
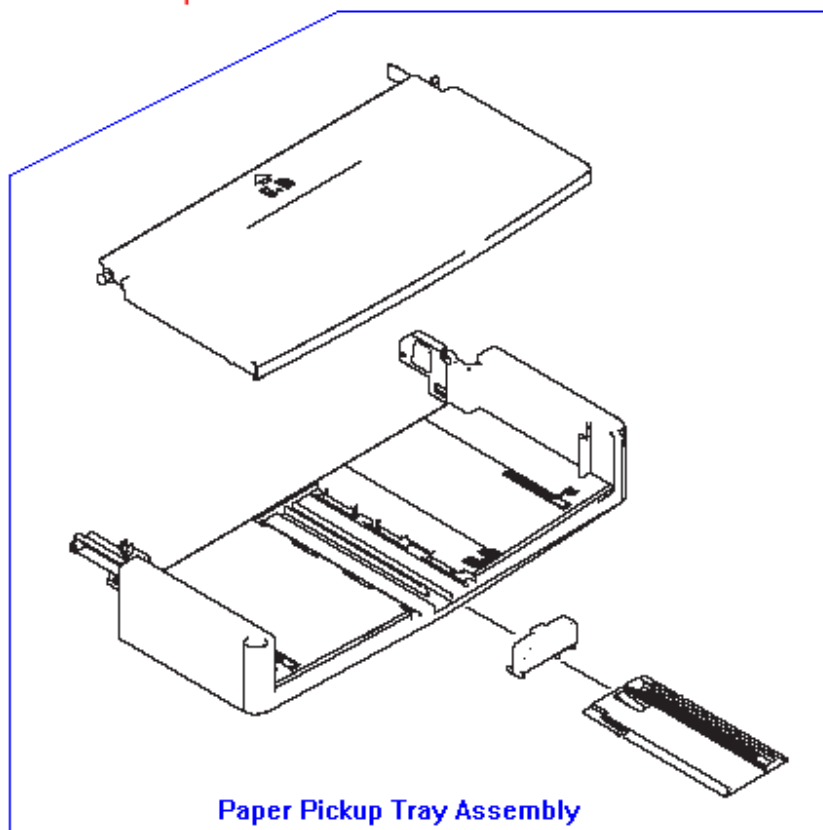


HP LaserJet 3030 All-In-One Printer Input and Output Tray Assemblies Diagram



1



2

REF	PART #	DESCRIPTION
1	RM1-0859	Printer face-down output (delivery) tray assembly - Includes small flat tray with the pull-out extender - Mounts to the top front of the printer

2	RM1-0858	Printer paper input (pickup) tray assembly - Includes the U-shaped paper tray with the pull-out extender, paper stop, and translucent cover
----------	----------	---------------------------------------------------------------------------------------------------------------------------------------------