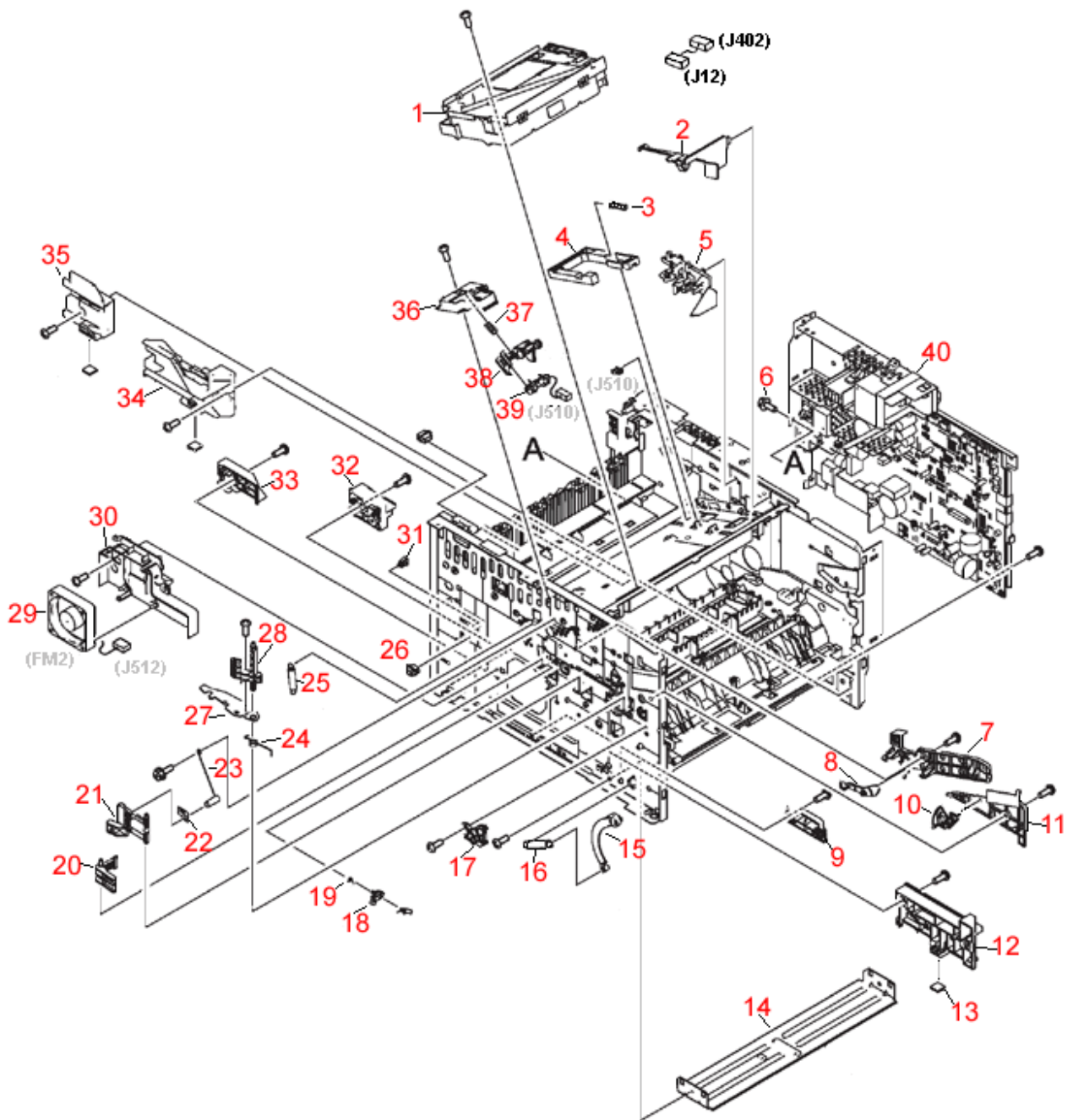


## HP LaserJet 2420 Internal Components (1 of 4) Diagram



<b>REF</b>	<b>PART #</b>	<b>DESCRIPTION</b>
<b>1</b>	RM1-1521	Laser/Scanner assembly - Mounts on top of print structure
<b>2</b>	RC1-4128	Plastic duct that vents air from the lower right front fan to the laser/scanner.
<b>3</b>	RU5-2404	Compression spring - Spring provides pressure to the laser shutter which when pulled back (spring is compressed) enables the laser scanner shutter by pressing up the plastic mechanical link on the underside of the laser/scanner assembly
<b>4</b>	RC1-4125	Laser shutter link - Enables the laser scanner shutter by pressing up this link on the underside of the laser/scanner assembly
<b>5</b>	RC1-4129	Small vent duct to route air from the fan (FM2) to the cartridge area
<b>6</b>	XB2-7300	Machine screw with attached washer - M3, 6mm - Used to hold plastic to metal
<b>7</b>	RC1-4121	Left upper toner cartridge guide
<b>8</b>	RC1-4123	Cartridge clamp lever - Attaches to upper left toner cartridge guide - Provides mechanical lock for toner cartridge
<b>9</b>	RC1-3949	Left middle guide - Small black plastic cassette guide on left side of printer
<b>10</b>	RC1-4138	Cartridge lever - Link that pushes contact cam and protective plate when cartridge is inserted
<b>11</b>	RC1-4122	Left lower toner cartridge guide
<b>12</b>	RC1-3948	Left front guide - Small black plastic piece on front left side of chassis in Tray 2 cassette guide slot
<b>13</b>	RA0-1003	Rubber foot - For bottom of printer - Three used
<b>14</b>	RC1-3946	Front base plate - Metal plate that fits under fuser assembly
<b>15</b>	RC1-4055	Door arm - White plastic arm that connects to left side cartridge access door

<b>16</b>	RU5-2407	Tension spring - Provides tension for cartridge access door arm
<b>17</b>	RC1-4056	Door arm guide - White plastic guide for cartridge door lever
<b>18</b>	RC1-4060	Grounding contact - Tiny U-shaped metal cartridge grounding contact - Contacts copper grounding strip on left side of toner cartridge
<b>19</b>	RC1-4061	Torsion spring - Tiny spring that attaches to small metal U-shaped cartridge grounding contact - Front cartridge contact spring
<b>20</b>	RC1-4065	Grounding contact lever - Lever on left side that is moved by contact when the toner cartridge is installed
<b>21</b>	RC1-4066	Grounding contact lever - Lever on left side that pushes both contact springs against toner cartridge contacts on left side of cartridge
<b>22</b>	RC1-4067	Leaf spring - Leaf spring that provides electrical connection to left side of toner cartridge
<b>23</b>	RC1-4140	Compression spring - Provides pressure to grounding contact link on left side of cartridge guide - Pushes link arm away when cartridge is removed
<b>24</b>	RU5-2410	Torsion spring - Provides pressure to move protective plate back into cartridge compartment when the cartridge is removed
<b>25</b>	RU5-2403	Tension spring - Provides tension for cartridge clamp lever that holds lefts side of cartridge in a stable position when inserted
<b>26</b>	RG5-1928	Connector (3-pin)
<b>27</b>	RC1-4136	Protective plate
<b>28</b>	RC1-4137	Contact cam - Vertical piece that inserts into protective plate
<b>29</b>	RK2-0573	Cooling fan - Fan FM2 - Located on lower left side of printer
<b>30</b>	RC1-4134	Fan holder - FM2 fan holder housing
<b>31</b>	WT2-5694	Snap-in cable clamp
<b>32</b>	RC1-	Plate holder - Holds the left rear corner of the paper access plate (duplex pan)

	4009	
<b>33</b>	RC1-3950	Cassette guide - Rear left black plastic paper cassette guide
<b>34</b>	RC1-3951	Cassette guide - Right front side black plastic paper cassette guide
<b>35</b>	RC1-3953	Cassette guide - Right rear black plastic paper cassette guide
<b>36</b>	RC1-4126	Reader holder cover - Plastic housing that covers cartridge E-label reader and holder assembly
<b>37</b>	RU5-2405	Compression spring - Provides pressure for E-reader holder
<b>38</b>	RC1-4127	Reader holder - E-label reader holder - Housing that holds cartridge E-label reader
<b>39</b>	RM1-1422	Reader and cable - E-label reader contact mechanism - Connection to read data from toner cartridge - Includes cable
<b>40</b>	RM1-1516	Engine controller assembly - Engine controller PC board and metal pan - 110/127 VAC
	RM1-1524	Engine controller assembly - Engine controller PC board and metal pan - 220/240 VAC