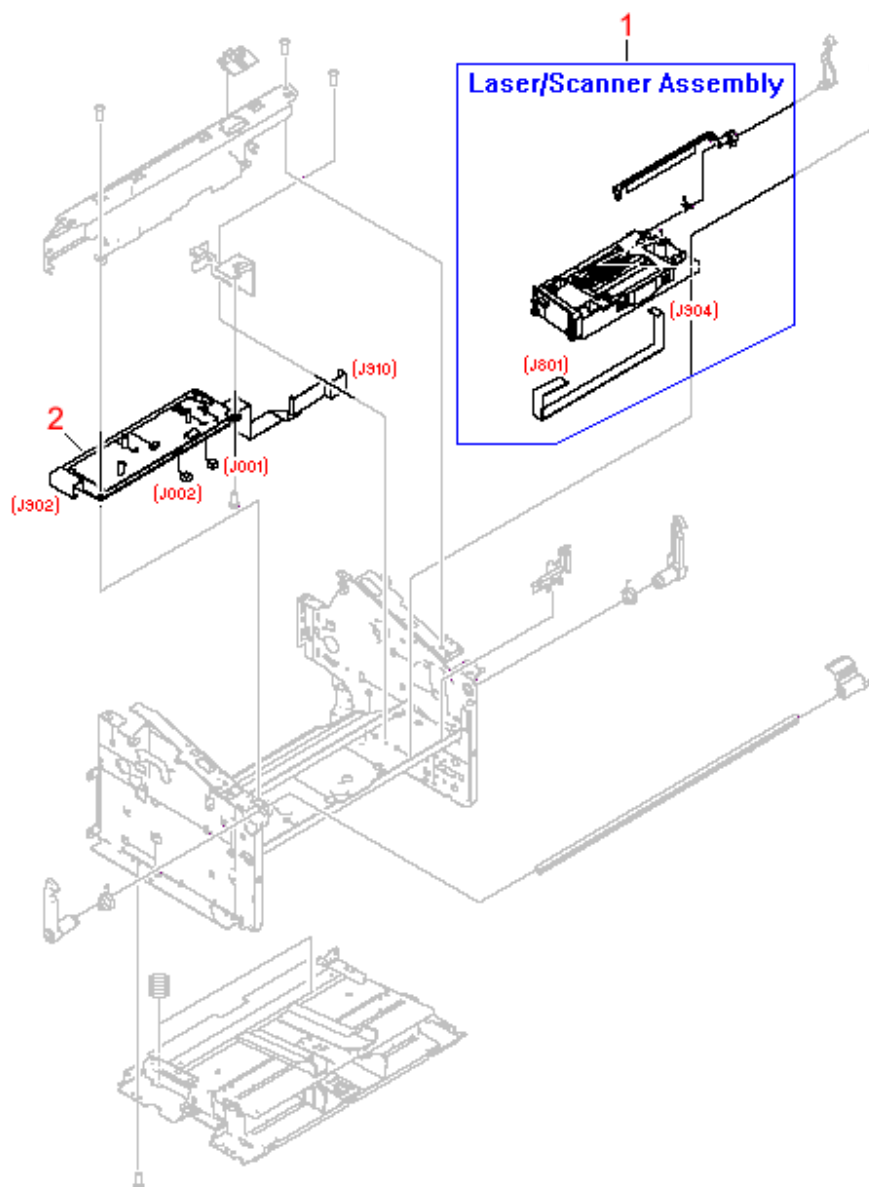


Internal Components (2 of 3) Diagram



REF	PART #	DESCRIPTION
1	RM1-0171	Laser/scanner assembly - Does NOT include the laser shutter arm - Mounts on top of the print structure frame
2	RM1-	Print engine control board - Provides motor drive, paper motion monitoring and printing

	0907	control - Mounts next to the laser/scanner assembly
--	------	---