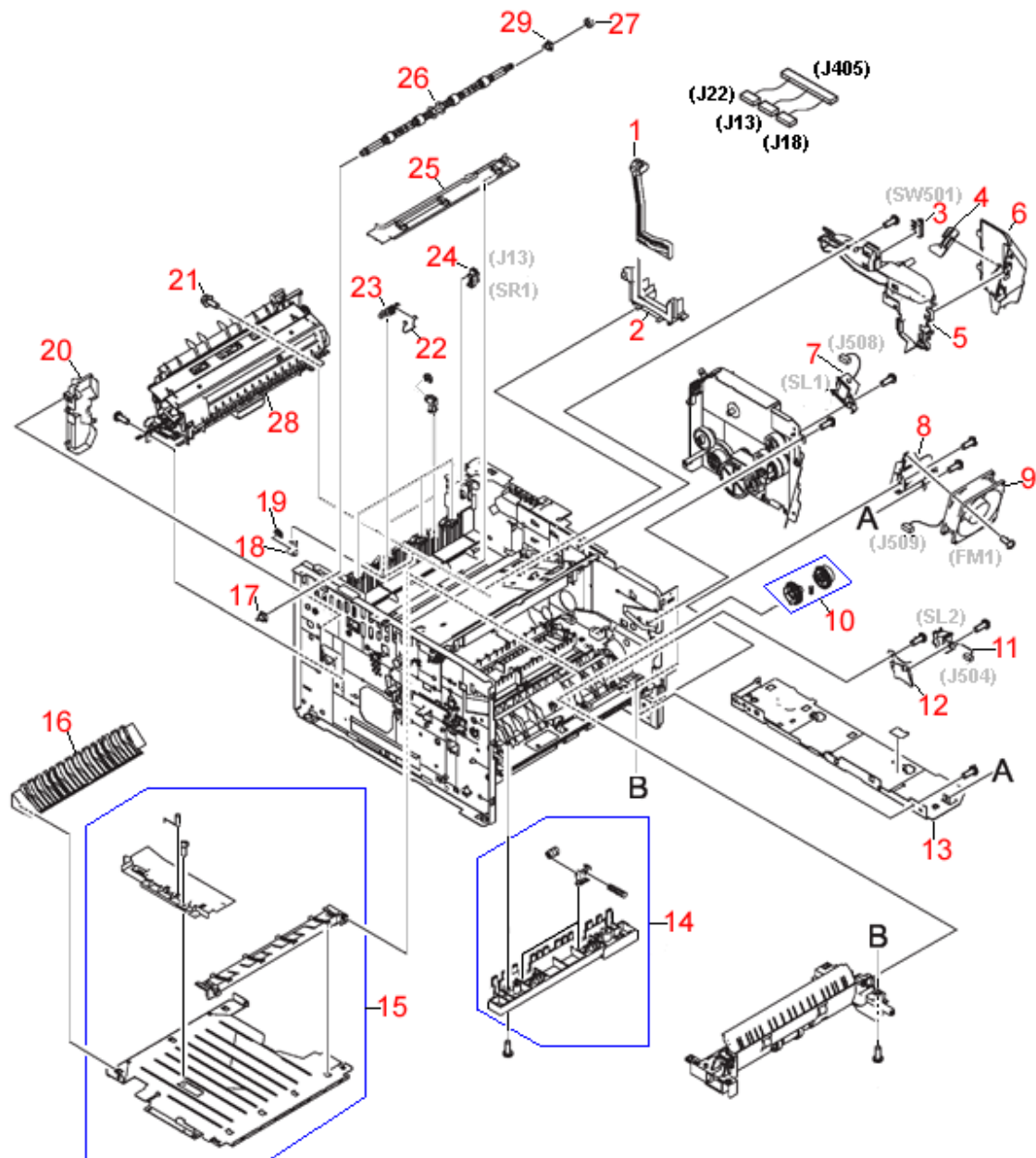


HP LaserJet 2420 Internal Components (2 of 4) Diagram



REF	PART #	DESCRIPTION
1	RC1-4170	Switch link - Mechanical link between power button and ECU board
2	RC1-4169	Switch link holder - Supports mechanical link between power button and ECU board
3	RK2-0534	Micro switch - Door open switch - SW501
4	RC1-4132	Test switch lever - Mechanical link to test engine switch
5	RC1-4130	Air duct - Inside half of air duct from fan FM2 in lower right front corner of printer -Black plastic
6	RC1-4131	Air duct - Outside half of air duct from fan FM2 in lower right front corner of printer - Black plastic
7	RK2-0526	Tray 1 paper pickup solenoid - Solenoid SL1
8	RC1-4133	Main fan holder - Plastic fan holder for main cooling fan FM1 - Located lower right front side
9	RK2-0571	Cooling fan - Main cooling fan FM1 - Located in lower right front side
10	RM1-1482	Paper pickup roller gear assembly - Gears that attach to Tray 2 pickup roller
11	RK2-0526	Tray 1 paper pickup solenoid - Solenoid SL1
12	RC1-3995	Torsion spring - Provides tension and holds small individual feed roller that rides against face down shaft roller - Four used
13	RC1-4113	Right base plate - Metal plate under right side of printer
14	RM1-1485	Roller assembly - Black plastic housing that holds rollers in front of Tray 2 pickup roller assembly
15	RM1-1507	Lower feed guide assembly
16	RC1-4096	Guide assembly - Duplexer portion paper input guide assembly

17	RC1-3665	Bushing/shaft retainer (Plastic) - Small plastic cylinder with four nubs that twist - Locks into the side frame
18	RC1-3998	Roller holder - Holder for small paper delivery rollers at top rear of printer - Four used
19	RC1-3996	Delivery roller - Small paper delivery rollers at top rear of printer - Four used
20	RC1-4000	Cable cover - Fuser cable cover - Black plastic cover that protects cable in left rear portion of printer
21	XB2-7300	Machine screw with attached washer - M3, 6mm - Used to hold plastic to metal
22	RC1-3995	Torsion spring - Provides tension and holds small individual feed roller that rides against face down shaft roller - Four used
23	RC1-3994	Face down roller - Small individual feed roller that rides against face down shaft roller - Held by torsion spring - Four used
24	WG8-5624	Photo-sensor (TLP1241) - Sensor flag activated
25	RC1-4006	Cable guide - Small black plastic tray that supports and protects cables that go across rear of printer behind laser scanner
26	RL1-0580	Face down output roller - Paper exit roller - Black plastic shaft with four rollers attached
27	RU5-0375	15 Tooth Gear
28	RM1-1535	HP LaserJet 2400 series fusing assembly - Bonds the toner to the paper with heat - For 110V to 120VAC operation
	RM1-1537	HP LaserJet 2400 series fusing assembly - Bonds the toner to the paper with heat - For 220V to 240VAC operation
29	RC1-3665	Bushing