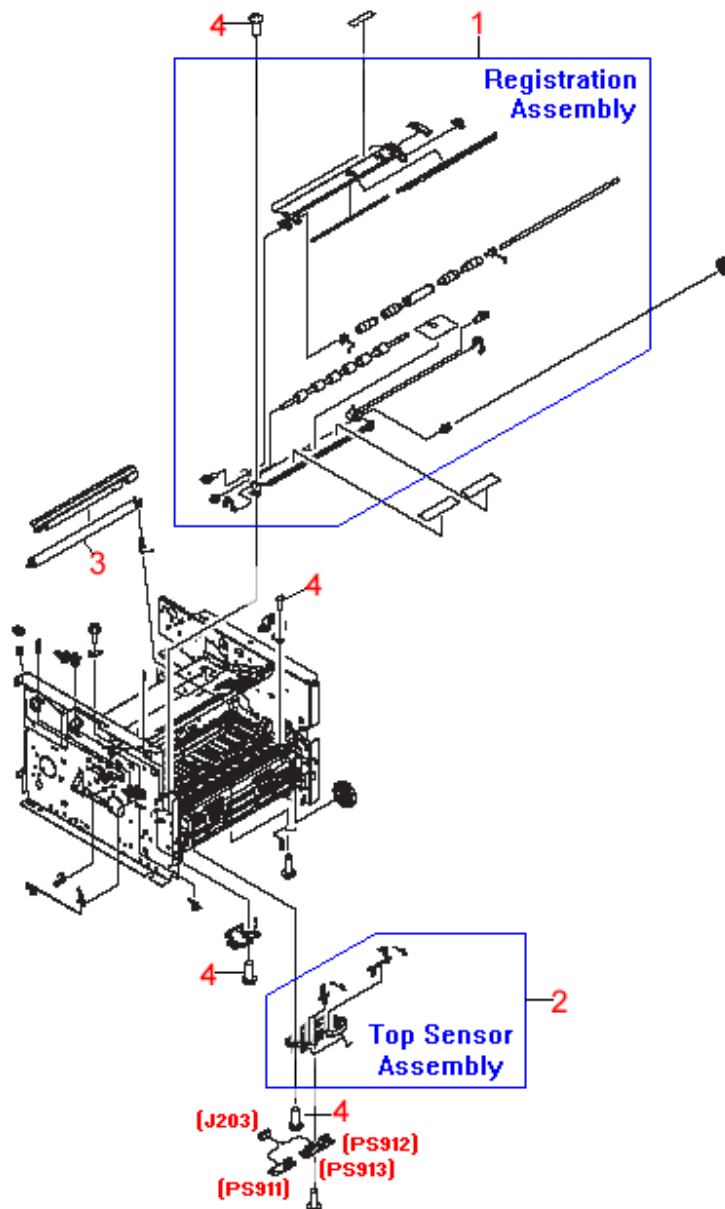


HP LaserJet 1320 Internal Components (3 of 4) Diagram



REF	PART #	DESCRIPTION
1	RM1-1281	Registration roller assembly - Includes the frame, the two roller assemblies, and the upper transfer guide - Mounts in the front middle of the print engine assembly
2	RM1-1283	Top sensor assembly - Includes the bracket and flags for the top of page detection sensor (PS912), and paper width detection sensor (PS913) - Mounts behind the registration roller assembly
3	RM1-1471	Transfer roller assembly - Transfers static charge to the media being printed on - Mounts in front of the paper feed guide assembly
4	XB4-7401	M4 truss head (flanged) screw - 10mm long - Typically used to secure plastic parts to the left and right side plates