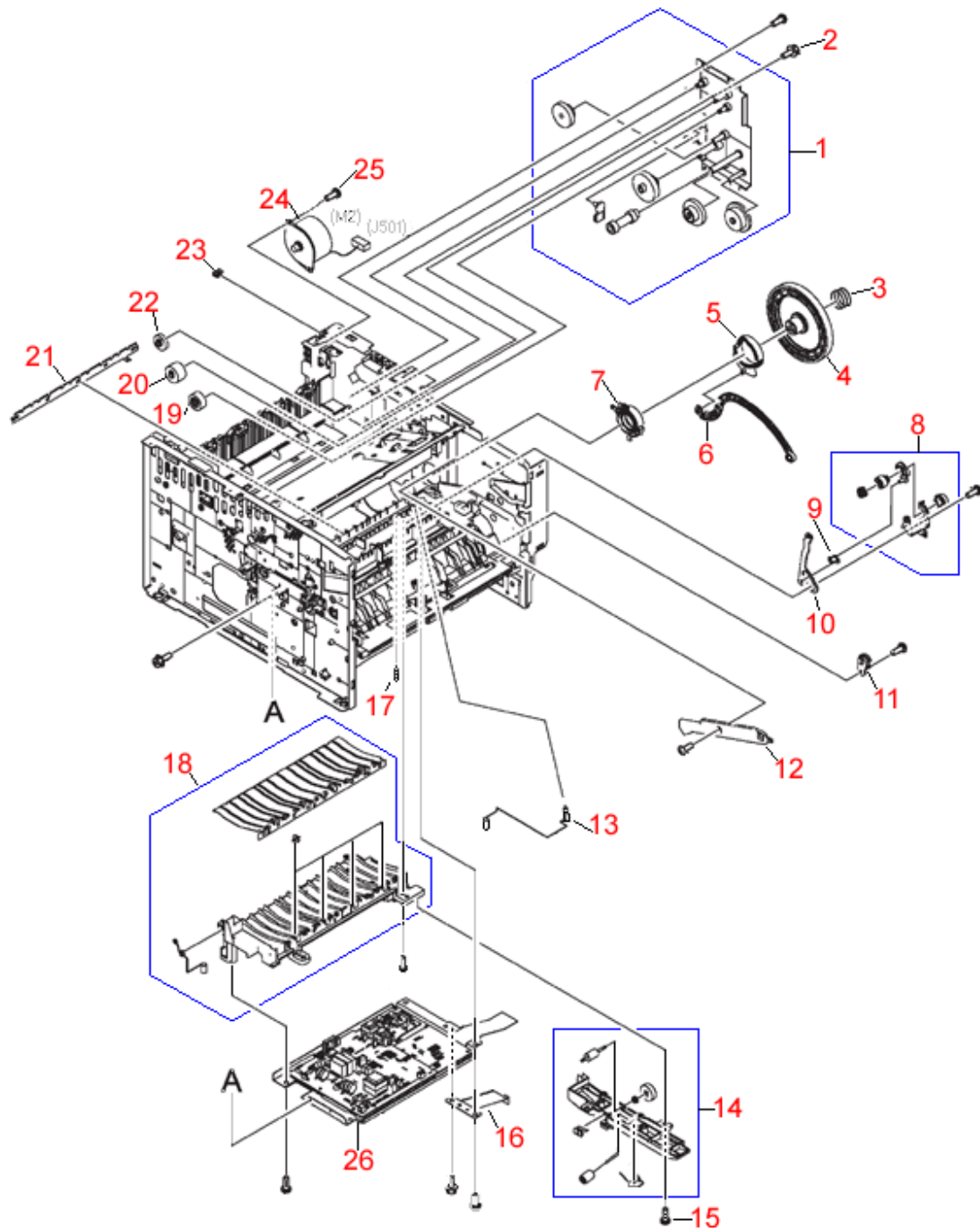


## HP LaserJet 2420 Internal Components (3 of 4) Diagram



<b>REF</b>	<b>PART #</b>	<b>DESCRIPTION</b>
<b>1</b>	RM1-1500	Fuser drive side plate assembly - Drive gear assembly and mounting plate for fuser - Located on right side of printer
<b>2</b>	XB2-7300	Machine screw with attached washer - M3, 6mm - Used to hold plastic to metal
<b>3</b>	RU5-2401	Compression spring - Provides pressure for the large 201 tooth white gear on right side of printer
<b>4</b>	RU5-0389	Gear - Large white plastic 201 tooth gear on right side of printer
<b>5</b>	RC1-4114	Cam - Located between large white 201 tooth gear and drive release lever
<b>6</b>	RC1-4115	Coupling lever - White plastic lever between large white gear cam and drive release assembly
<b>7</b>	RC1-4105	Inner bushing - Bushing that large white 201 tooth drive gear rides on
<b>8</b>	RM1-1522	Drive release assembly -
<b>9</b>	RC1-4117	Drive release link -
<b>10</b>	RC1-4116	Drive release lever -
<b>11</b>	RA0-1172	17 tooth gear assembly - Includes the 17 tooth gear mounted on a black plastic lever/bracket
<b>12</b>	RC1-4106	Upper right toner cartridge guide
<b>13</b>	RC1-4185	Compression spring - Spring under transfer plate that provides electrical connection to transfer plate
<b>14</b>	RM1-1506	Position guide assembly - Guides the paper along the right side duplex path - Attaches just above power supply
<b>15</b>	XB4-7401	M4 truss head (flanged) screw - 10mm long - Typically used to secure plastic parts to the left and right side plates
<b>16</b>	RC1-4085	Grounding plate - High voltage power supply grounding plate - Attaches to left rear of power supply

<b>17</b>	RU5-2408	Compression spring - Right side transfer roller spring - Provides tension for transfer roller
<b>18</b>	RM1-1504	Paper feed guide assembly
<b>19</b>	RU5-0378	20 tooth gear - 20 tooth gear in fuser drive assembly on right rear of printer
<b>20</b>	RU5-0377	28 tooth gear - 28 tooth gear in fuser drive assembly on right rear of printer
<b>21</b>	RC1-4025	Static charge eliminator - Comb that mounts above upper delivery roller that dissipates static charge as paper exits printer
<b>22</b>	RU5-0379	19 tooth gear - 19 tooth gear in fuser drive assembly on right rear of printer
<b>23</b>	WT2-5056	Cable clip - 'C' shaped White plastic
<b>24</b>	RK2-0523	Electric stepper motor - Fuser drive assembly motor - Motor M2
<b>25</b>	XA9-1503	M3 truss head (Flanged) Phillips screw (Black oxide finish) - 6mm long
<b>26</b>	RM1-1505	High voltage power supply board