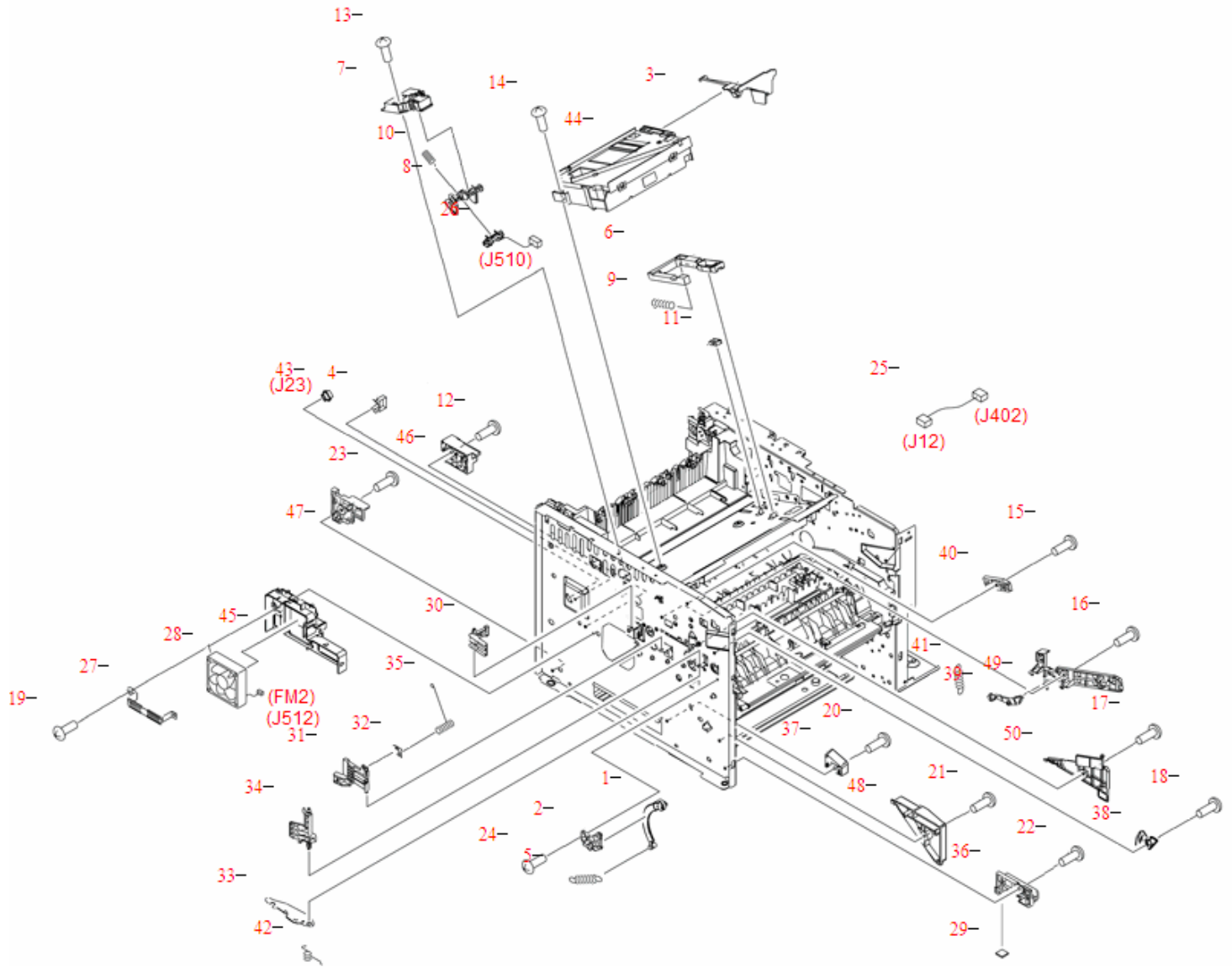


Internal components (1 of 6)



REF	PartNumber	Description
1	RC1-4055-000CN	Door arm - White plastic arm that connects to left side cartridge access door
2	RC1-4056-000CN	Door arm guide - White plastic guide for cartridge door lever
3	RC1-4128-020CN	Plastic duct that vents air from the lower right front fan to the laser/scanner.
4	WT2-5694-000CN	Snap-in cable clamp
5	RU5-2407-000CN	Tension spring - Provides tension for cartridge access door arm
6	RC1-4125-000CN	Laser shutter link - Enables the laser scanner shutter by pressing up this link on the underside of the laser/scanner assembly
7	RC1-4126-000CN	Reader holder cover - Plastic housing that covers cartridge E-label reader and holder assembly
8	RC1-4127-000CN	E-label reader holder - Housing that holds cartridge E-label reader
9	RU5-2404-000CN	Compression spring - Spring provides pressure to the laser shutter which when pulled back (spring is compressed) enables the laser scanner shutter by pressing up the plastic mechanical link on the underside of the laser/scanner assembly
10	RU5-2405-000CN	Compression spring - Provides pressure for E-reader holder
11	WT2-5812-000CN	Cable clip - 'C' shaped white plastic clip
12	XA9-1671-000CN	Screw - M3 X 8mm long
13	XA9-1671-000CN	Screw - M3 X 8mm long
14	XA9-1671-000CN	Screw - M3 X 8mm long
15	XA9-1671-000CN	Screw - M3 X 8mm long
16	XA9-1671-000CN	Screw - M3 X 8mm long
17	XA9-1671-000CN	Screw - M3 X 8mm long
18	XA9-1671-000CN	Screw - M3 X 8mm long
19	XA9-1671-000CN	Screw - M3 X 8mm long
20	XA9-1671-000CN	Screw - M3 X 8mm long

21	XA9-1671-000CN	Screw - M3 X 8mm long
22	XA9-1671-000CN	Screw - M3 X 8mm long
23	XA9-1671-000CN	Screw - M3 X 8mm long
24	XA9-1671-000CN	Screw - M3 X 8mm long
25	RM1-4053-000CN	Laser scanner motor cable - Connects ECU to scanner motor (M3)
26	RM1-4054-000CN	Contacts and cable - For toner cartridge memory tag - Connects to ECU memory control
27	RC2-0623-000CN	Left plate fan shield - Holds the left side fan (FM2)
28	RK2-1499-000CN	Cooling fan (FM2) - Located on the left side of the printer - Small fan that cools the fuser assembly and print cartridge area
29	RA0-1003-000CN	Rubber foot - For bottom of printer - Three used
30	RC1-4065-000CN	Grounding contact lever - Lever on left side that is moved by contact when the toner cartridge is installed
31	RC1-4066-020CN	Grounding contact lever - Lever on left side that pushes both contact springs against toner cartridge contacts on left side of cartridge
32	RC1-4067-000CN	Leaf spring - Leaf spring that provides electrical connection to left side of toner cartridge
33	RC1-4136-000CN	Protective plate
34	RC1-4137-020CN	Contact cam - Vertical piece that inserts into protective plate
35	RC1-4140-000CN	Compression spring - Provides pressure to grounding contact link on left side of cartridge guide - Pushes link arm away when cartridge is removed
36	RC2-0565-000CN	Cassette guide - Left side guide for media cassette
37	RC2-0585-000CN	Left wing feed guide stopper
38	RC2-0705-000CN	Drive release lever
39	RC2-0706-000CN	Cartridge clamp lever - Attaches to upper left toner cartridge guide - Provides mechanical lock for toner cartridge
40	RC2-0707-000CN	Left cartridge stopper - Provided a predetermined position for the cartridge
41	RU5-2403-000CN	Tension spring - Provides tension for cartridge clamp lever that holds lefts side of cartridge in a stable position when inserted

42	RU5-2410-020CN	Torsion spring - Provides pressure to move protective plate back into cartridge compartment when the cartridge is removed
43	VS1-7257-007CN	Drawer connector - Connector located on top of tray assembly frame (right side), which connects tray assemblies to each other
44	RM1-1521-030CN	Laser/Scanner assembly - Mounts on top of print structure
45	RC2-0622-000CN	Fan holder - Chassis left fan holder
46	RC1-4009-000CN	Plate holder - Holds the left rear corner of the paper access plate (duplex pan)
47	RC2-0566-000CN	Cassette guide - Left rear side cassette guide
48	RC2-0567-000CN	Center guide - Left center guide plate
49	RC2-0703-000CN	Cartridge guide - Upper left side toner cartridge guide
50	RC2-0704-000CN	Cartridge guide - Lower left side toner cartridge guide