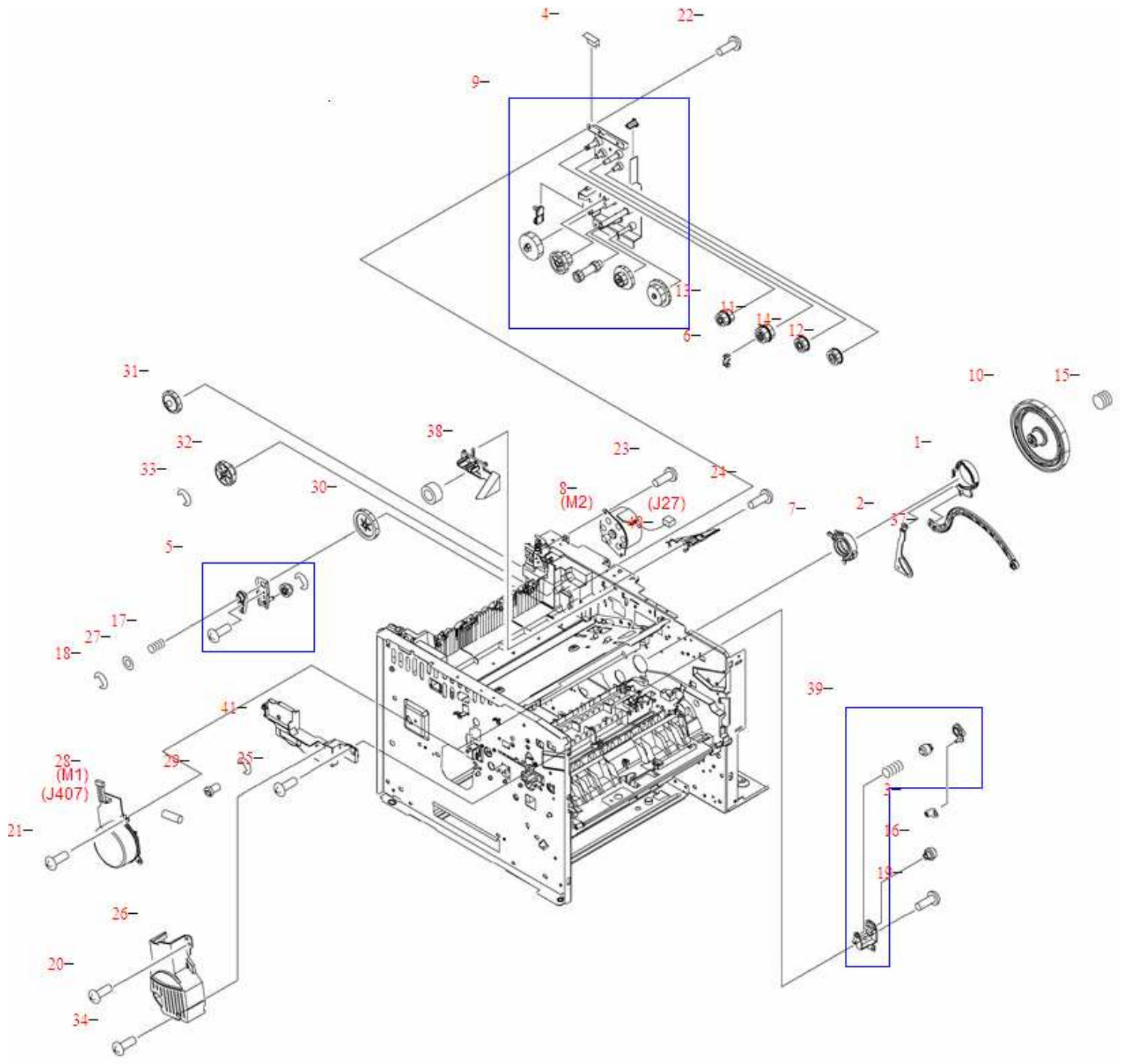


## Internal components (2 of 6)



<b>REF</b>	<b>PartNumber</b>	<b>Description</b>
1	RC1-4114-000CN	Cam - Located between large white 201-tooth gear and drive release lever
2	RC1-4116-000CN	Drive release lever
3	RC1-4116-000CN	Drive release lever
4	RC2-0649-000CN	Fuser film drive side plate - Located on the fuser assembly
5	RM1-3748-000CN	Duplexing pendulum assembly - Gear assembly that transfers power from main motor to run duplexing capability
6	RC2-0657-000CN	Fuser thrust stopper - Located on the fuser drive assembly
7	RC2-0701-000CN	Inner bushing - Rides on the large white 201-tooth drive gear
8	RK2-1489-000CN	Stepping DC motor (M2) - Drives all fuser rollers and fuser drive assembly
9	RM1-3746-000CN	Fuser drive side plate and gear assembly - Drive gear assembly and mounting plate for fuser - Located on right side of printer
10	RU5-0950-000CN	Gear - 201-tooth gear
11	RU5-0956-000CN	Gear - 20/20 tooth - Goes on the fuser drive assembly
12	RU5-0957-000CN	Gear - 20-tooth - Goes on the fuser drive assembly
13	RU5-0958-000CN	Gear - 17/17 tooth - Goes on the fuser drive assembly
14	RU5-0959-000CN	Gear - 19-tooth - Goes on the fuser drive assembly
15	RU5-2401-000CN	Compression spring - Provides pressure for the large 201-tooth white gear on right side of printer
16	RU5-0394-000CN	Gear - 12-tooth Gear - Goes on the drive release assembly
17	RU5-2920-000CN	Compression spring - Goes on the pendulum assembly
18	XD9-0232-000CN	E-ring keeper - Attaches to drive end of registration roller to secure cluster gear
19	XA9-1671-000CN	Screw - M3 X 8mm long
20	XA9-1671-000CN	Screw - M3 X 8mm long

21	XA9-1671-000CN	Screw - M3 X 8mm long
22	XA9-1671-000CN	Screw - M3 X 8mm long
23	XA9-1671-000CN	Screw - M3 X 8mm long
24	XA9-1671-000CN	Screw - M3 X 8mm long
25	XA9-1671-000CN	Screw - M3 X 8mm long
26	RC1-4108-000CN	Cover for main motor M1 - Located on lower right side of printer
27	RC2-0652-000CN	Plain Washer - Located on the pendulum assembly
28	RK2-1488-000CN	Main motor (M1) - DC motor located on the upper left side of the printer
29	RU5-0951-000CN	Gear - 16-tooth gear
30	RU5-0955-000CN	Gear - 42-tooth - Goes with the pendulum assembly
31	RU5-0960-000CN	Gear - 31-tooth gear
32	RU5-0962-000CN	Gear - 65-tooth gear
33	XD9-0232-000CN	E-ring keeper - Attaches to drive end of registration roller to secure cluster gear
34	XB4-7401-005CN	M4 pan-head phillips screw with self-tapping threads - 10mm long
37	RC1-4115-000CN	Coupling lever - White plastic lever between large white gear cam and drive release assembly
38	RC2-0590-000CN	Cartridge duct - Small vent duct to route air from the fan (FM1) to the cartridge area
39	RM1-1522-000CN RM1-1522-020CN	Drive release assembly - Drive release assembly
40	RC2-0648-000CN	Air guide - Located next to the cartridge duct
41	RC2-0579-000CN	Gear cover - Mounts on the left side of the printer chassis