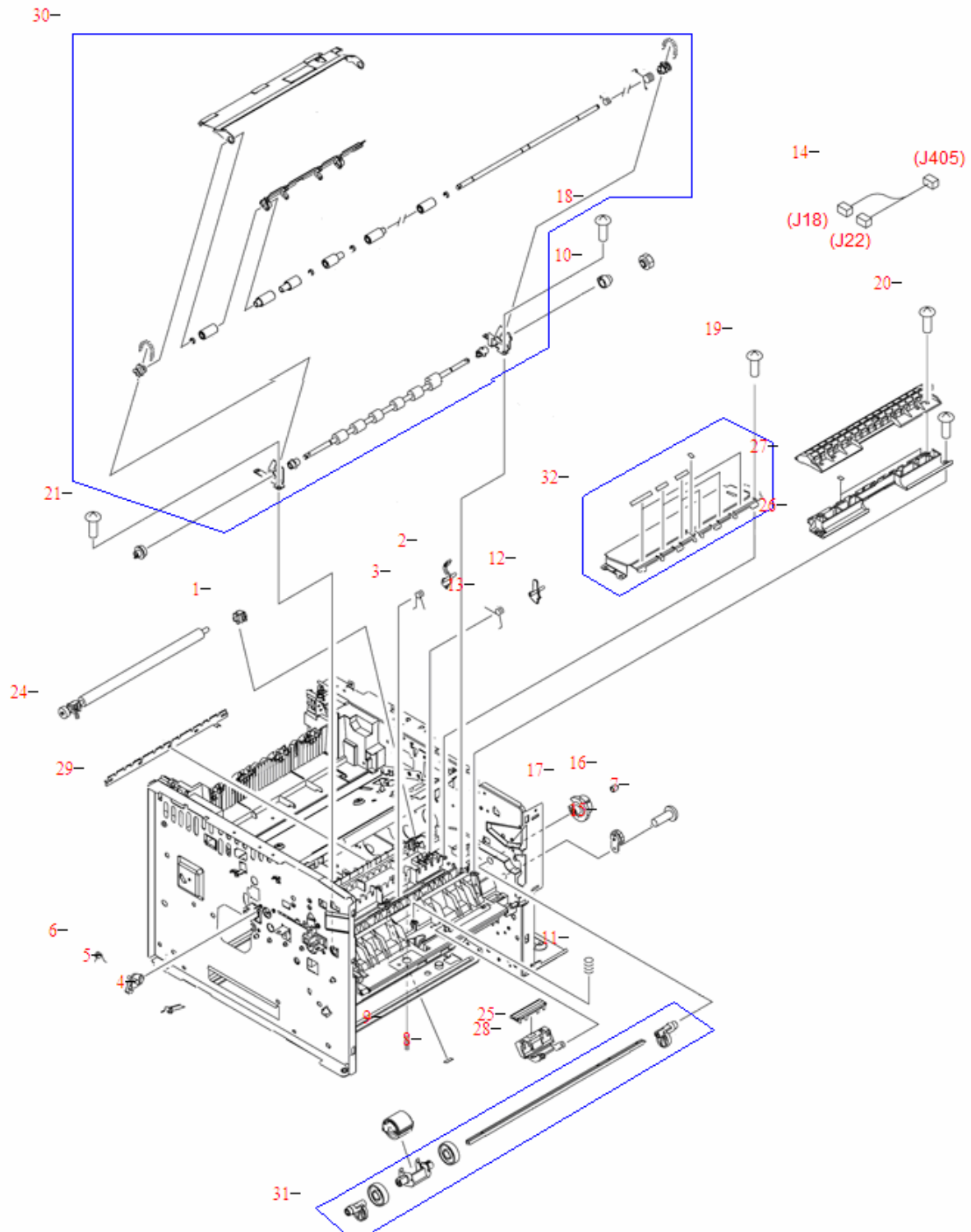


Internal components (3 of 6)



REF	PartNumber	Description
1	RC1-0922-000CN	Roller bushing - Right side transfer roller bushing
2	RC1-4027-000CN	Sensor lever - Top of page sensor flag - Used to detect edge of paper
3	RC1-4028-000CN	Torsion spring - Provides tension for top of page sensor flag
4	RC1-4059-000CN	Torsion spring - Tiny spring that attaches to small metal U-shaped cartridge grounding contact - Rear cartridge contact spring
5	RC1-4060-000CN	Grounding contact - Tiny U-shaped metal cartridge grounding contact - Contacts copper grounding strip on left side of toner cartridge
6	RC1-4061-000CN	Torsion spring - Tiny spring that attaches to small metal U-shaped cartridge grounding contact - Front cartridge contact spring
7	XA9-1671-000CN	Screw - M3 X 8mm long
8	RC1-4070-000CN	Sheet static charge - Dissipates static charge from paper
9	RU5-2408-000CN	Compression spring - Right side transfer roller spring - Provides tension for transfer roller
10	RC1-4189-000CN	Gear stopper - Small bushing between right side of registration assembly and registration roller drive gear
11	RU5-2385-000CN	Compression spring - Provides pressure for tray 1 separation pad
12	RC2-0575-000CN	Arm paper - Includes sensor
13	RC2-0576-000CN	Torsion spring - Provides tension to the arm paper
14	RM1-4057-000CN	Cable harness - For paper delivery sensor and fuser thermistors
15	RA0-1172-000CN	17-tooth gear assembly - Includes the 17-tooth gear mounted on a black plastic lever/bracket
16	RC2-0483-000CN	Compression spring
17	RU5-0366-000CN	Gear - 30-tooth - Attaches to right side end of tray 1 pickup roller shaft
18	XB4-7401-005CN	M4 pan-head phillips screw with self-tapping threads - 10mm long
19	XB4-7401-005CN	M4 pan-head phillips screw with self-tapping threads - 10mm long

20	XB4-7401-005CN	M4 pan-head phillips screw with self-tapping threads - 10mm long
21	XB4-7401-005CN	M4 pan-head phillips screw with self-tapping threads - 10mm long
24	RM1-1508-000CN	Transfer roller assembly - Long metal shaft with black roller - Includes right side bushing and tension spring
25	RC1-0939-000CN	Multi-purpose/tray 1 separation pad - Does not include holder
26	RC1-3935-000CN	Feed guide assembly - Mounts above transfer roller assembly
27	RC1-3936-020CN	Registration roller assembly cover
28	RC1-3937-000CN	Separation pad holder
29	RC1-4025-000CN	Static charge eliminator - Comb that mounts above upper delivery roller that dissipates static charge as paper exits printer
30	RM1-3715-000CN	Registration roller assembly
31	RM1-3716-000CN	Multi-purpose tray pickup roller assembly - Includes pickup roller, roller cam, right and left cams, both round rollers and dowel pin
32	RM1-3757-000CN	Lower transfer guide assembly - Guides paper into transfer roller