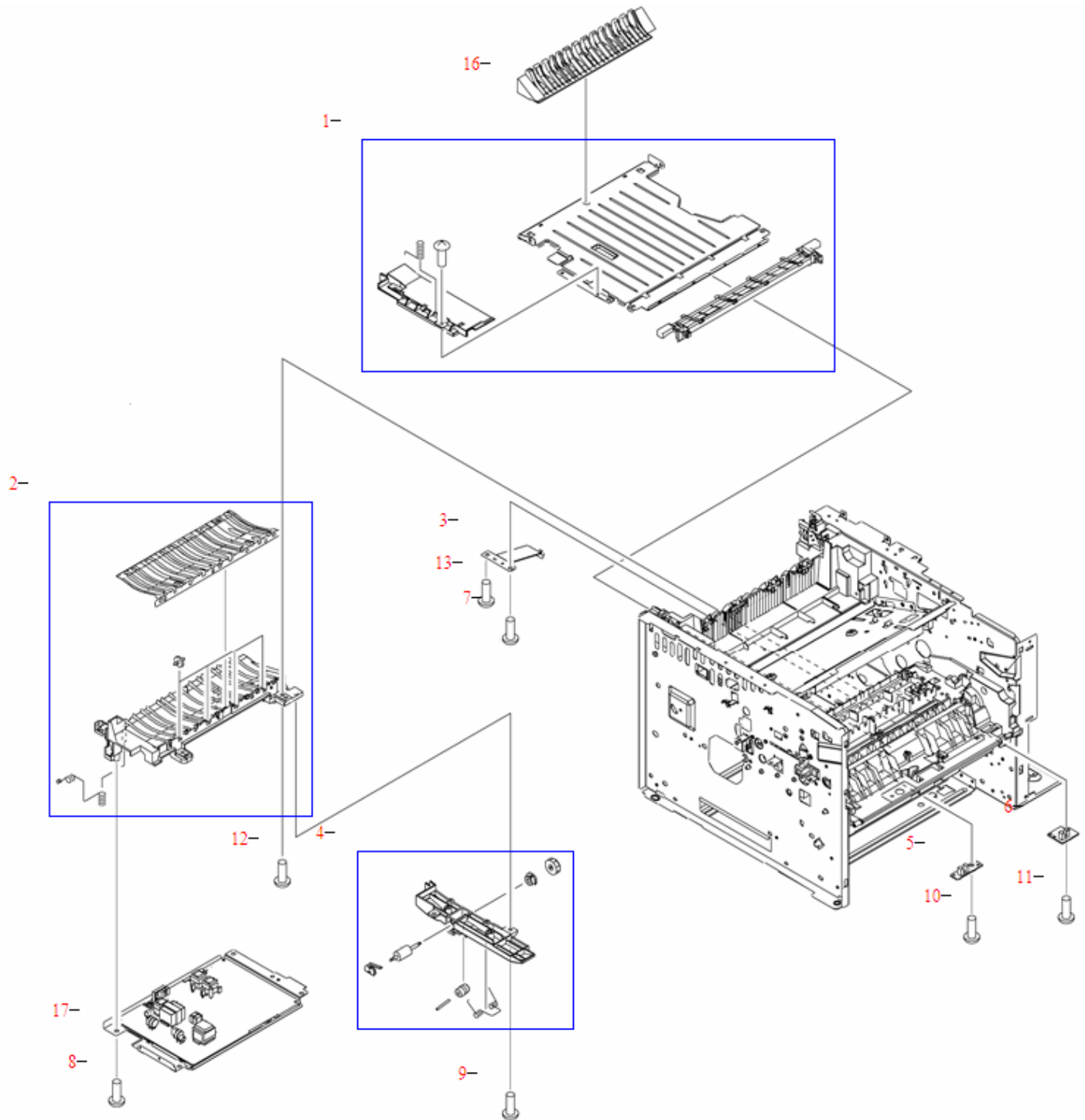


## Internal components (4 of 6)



<b>REF</b>	<b>PartNumber</b>	<b>Description</b>
1	RM1-3759-000CN	Lower paper feed assembly - Vertical transfer unit - Transfers paper from pickup assembly up to the printer input
2	RM1-3760-000CN	Paper feed guide assembly
3	RC1-4085-000CN	Grounding plate - High voltage power supply grounding plate - Attaches to left rear of power supply
4	RM1-1506-000CN	Position guide assembly - Guides the paper along the right side duplex path - Attaches just above power supply
5	RM1-4040-000CN	Top sensor printed circuit board (PCB) assembly (PS-901) - Top of page sensor, detects pick, delivery and stationary
6	RM1-4042-000CN	Paper width sensor - Printed circuit board (PCB) assembly
7	XB4-7401-005CN	M4 pan-head phillips screw with self-tapping threads - 10mm long
8	XB4-7401-005CN	M4 pan-head phillips screw with self-tapping threads - 10mm long
9	XB4-7401-005CN	M4 pan-head phillips screw with self-tapping threads - 10mm long
10	XB4-7401-005CN	M4 pan-head phillips screw with self-tapping threads - 10mm long
11	XB4-7401-005CN	M4 pan-head phillips screw with self-tapping threads - 10mm long
12	XB4-7401-005CN	M4 pan-head phillips screw with self-tapping threads - 10mm long
13	XB2-7300-605CN	Machine screw with attached washer - M3, 6mm - Used to hold plastic to metal
16	RC1-4096-000CN	Guide assembly - Duplexer portion paper input guide assembly
17	RM1-3758-000CN	High voltage power supply PC board assembly