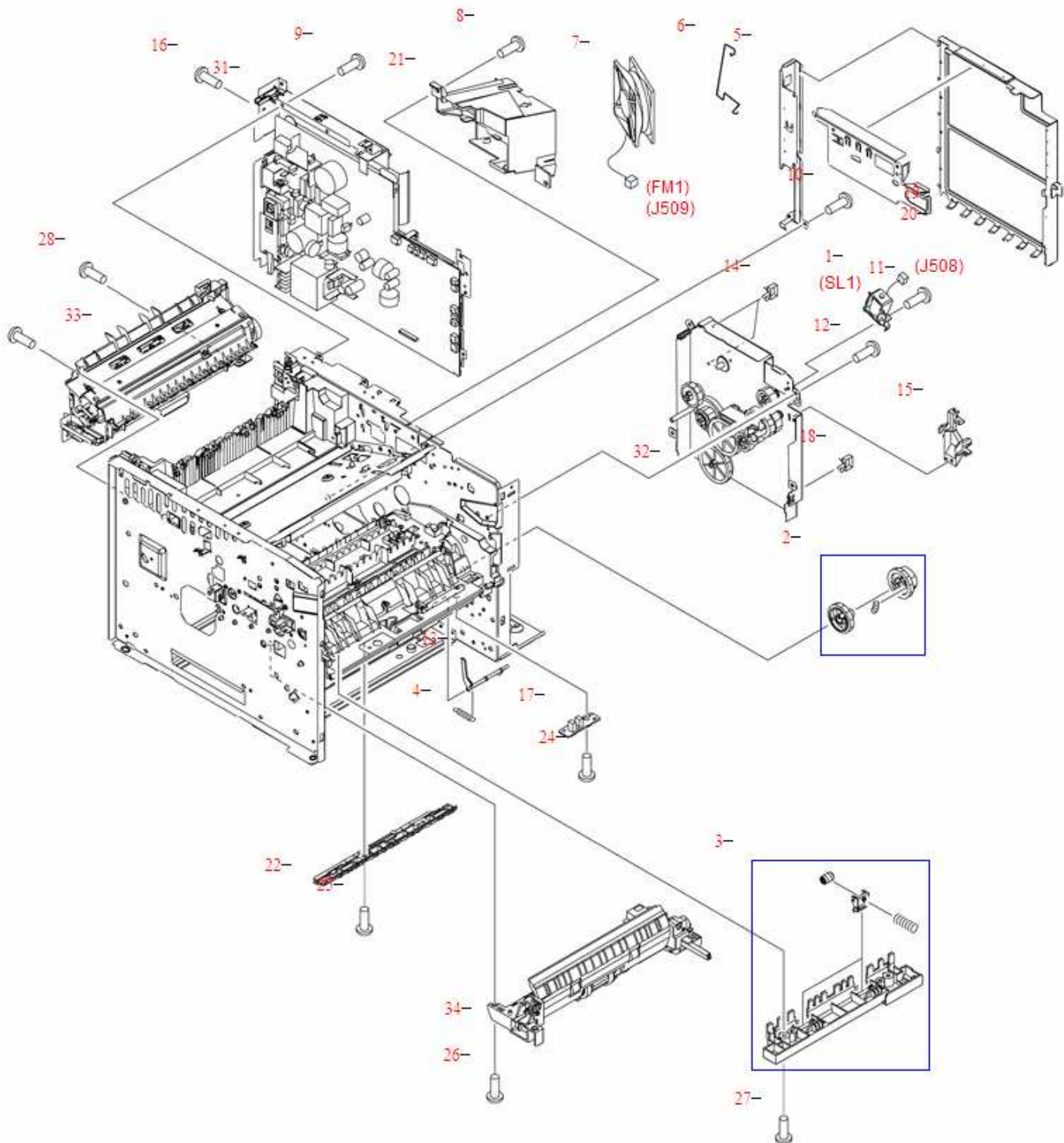


Internal components (5 of 6)



REF	PartNumber	Description
1	RK2-1490-000CN	Solenoid (SL1) - For tray 1 - Mounts on the main drive assembly
2	RM1-3714-000CN	Gear - Pick up roller gear assembly
3	RM1-1485-000CN	Roller assembly - Black plastic housing that holds rollers in front of tray 2 pickup roller assembly
4	RU5-2386-000CN	Torsion spring - Provides tension for tray 1 paper sensor flag
5	RC2-0638-000CN	I/O face plate - Mounts on the formatter board cover (non-network models)
6	RC2-0593-000CN	Fan rod - Metal rod that mounts against fan (FM1) on right side of printer - Used for noise reduction
7	RK2-1497-000CN	Cooling fan - Located on the right side of the printer
8	XA9-1671-000CN	Screw - M3 X 8mm long
9	XA9-1671-000CN	Screw - M3 X 8mm long
10	XA9-1671-000CN	Screw - M3 X 8mm long
11	XA9-1671-000CN	Screw - M3 X 8mm long
12	XA9-1671-000CN	Screw - M3 X 8mm long
13	RC1-3939-000CN	Paper sensor lever - Mechanical device that activates photo sensor (PS902) - For tray 1
14	WT2-5694-000CN	Snap-in cable clamp
15	RC2-0588-000CN	Cable holder - Mounts on the main drive assembly
16	XA9-1503-000CN	M3 truss head (Flanged) phillips screw (Black oxide finish) - 6mm long
17	RM1-4041-000CN	Multipurpose paper tray sensor - Printed circuit assembly (PCA) - Includes paper sensors (PS3)
18	WT2-5678-000CN	Cable clip - White plastic push-in clip with mounting pin
19	RC2-0627-000CN	Formatter cover - Mounts on the left back side of the printer
20	RC2-0628-000CN	Anti-magnetic plate - Located on the formatter cover

21	RC2-0592-000CN	Main fan holder - Plastic fan holder for main cooling fan (FM1) - Located on the upper right side of the printer
22	RC1-4083-000CN	Paper guide - Located under the registration roller assembly
23	XB4-7401-005CN	M4 pan-head phillips screw with self-tapping threads - 10mm long
24	XB4-7401-005CN	M4 pan-head phillips screw with self-tapping threads - 10mm long
25	XB4-7401-005CN	M4 pan-head phillips screw with self-tapping threads - 10mm long
26	XB4-7401-005CN	M4 pan-head phillips screw with self-tapping threads - 10mm long
27	XB4-7401-005CN	M4 pan-head phillips screw with self-tapping threads - 10mm long
28	XB2-7300-605CN	Machine screw with attached washer - M3, 6mm - Used to hold plastic to metal
31	RM1-3730-060CN	Engine controller assembly - For 110/127 VAC - Engine controller PC board and metal pan
	RM1-3731-000CN	Engine controller PC board assembly and metal pan - For 220 VAC to 240 VAC operation
	RM1-3730-000CN	Engine controller assembly - For 110/127 VAC - Engine controller PC board and metal pan
	RM1-3731-060CN	Engine controller PC board assembly and metal pan - For 220 VAC to 240 VAC operation
32	RM1-3712-000CN	Main drive assembly - Mounts on the right side of the printer - Metal plate with gears attached - Also known as main gear drive assembly
33	RM1-3717-000CN	Fusing assembly - For 110-127 VAC - Bonds toner to paper by heat - Includes 20-tooth gear
	RM1-3740-030CN	Fusing assembly - For 110-127 VAC - Bonds toner to paper by heat
	5851-3997	Fusing assembly - For 220 VAC to 240 VAC operation - Bonds toner to paper with heat
	RM1-3761-000CN	Fusing assembly - For 220 VAC to 240 VAC - Bonds toner to paper with heat - Includes 20-tooth gear
	RM1-3741-030CN	Fusing assembly - For 220 VAC to 240 VAC operation - Bonds toner to paper with heat
34	RM1-3762-000CN	Paper pick-up assembly - Includes the pickup roller, feed roller assembly, drive gears, and plastic housing