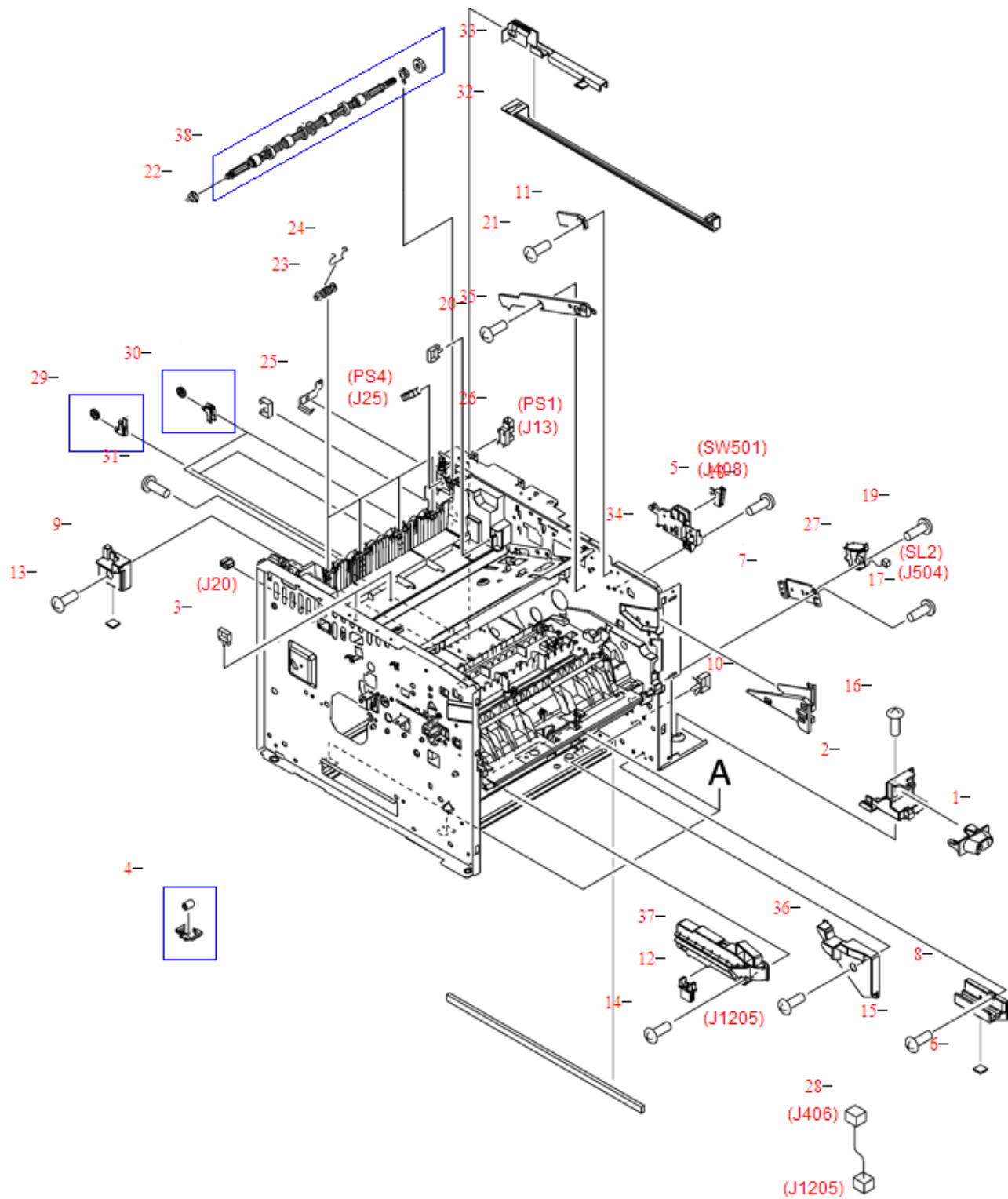


Internal components (6 of 6)



REF	PartNumber	Description
1	RC2-0631-000CN	Power on/off switch - Located on the front right side of the printer
2	RC2-0632-000CN	Switch holder - Holds the power on/off switch
3	WT2-5678-000CN	Cable clip - White plastic push-in clip with mounting pin
4	RM1-3727-000CN	Bottom support plate for the roller assembly
5	RK2-0534-000CN	Microswitch - Door open switch (SW501)
6	RA0-1003-000CN	Rubber foot - For bottom of printer - Three used
7	RC2-0498-000CN	Solenoid Mount
8	RC2-0559-000CN	Cassette guide - Right side guide for media cassette
9	RC2-0560-000CN	Cassette guide - Right rear side cassette guide
10	RC2-0700-000CN	Cartridge guide - Lower right side toner cartridge guide
11	RC2-0702-000CN	Right cartridge stopper - Provided a predetermined position for the cartridge
12	VS1-7257-007CN	Drawer connector - Connector located on top of tray assembly frame (right side), which connects tray assemblies to each other
13	XA9-1671-000CN	Screw - M3 X 8mm long
14	XA9-1671-000CN	Screw - M3 X 8mm long
15	XA9-1671-000CN	Screw - M3 X 8mm long
16	XA9-1671-000CN	Screw - M3 X 8mm long
17	XA9-1671-000CN	Screw - M3 X 8mm long
18	XA9-1671-000CN	Screw - M3 X 8mm long
19	XA9-1671-000CN	Screw - M3 X 8mm long
20	XA9-1671-000CN	Screw - M3 X 8mm long
21	XA9-1671-000CN	Screw - M3 X 8mm long

22	RC1-3665-000CN	Shaft bushing/retainer - Small plastic cylinder with four nubs that twist - Locks into the side frame
23	RC1-3994-000CN	Face down roller - Small individual feed roller that rides against face down shaft roller - Held by torsion spring - Four used
24	RC2-0665-000CN	Torsion spring - Tiny spring that attaches the face down roller
25	RC2-0697-000CN	Face-up shield plate
26	WG8-5624-000CN	Photo-sensor (TLP1241) - Sensor flag activated
27	RK2-1492-000CN	Solenoid (SL2) - Controls paper pickup roller for tray 2
28	RM1-4062-000CN	Option input tray cable
29	RM1-1497-000CN	Delivery roller assembly - Lower face-down output roller assembly - Includes roller and holder Four used
30	RM1-1497-000CN	Delivery roller assembly - Lower face-down output roller assembly - Includes roller and holder Four used
31	XB4-7401-005CN	M4 pan-head phillips screw with self-tapping threads - 10mm long
32	RC2-0633-000CN	Link switch - Metal arm that links power switch to power supply
33	RC2-0634-000CN	Link switch holder - Plastic guide that holds power link arm in place
34	RC2-0595-000CN	Holder - Plastic assembly that holds interlock switch for cover
35	RC2-0492-000CN	Cartridge guide - Right side toner cartridge guide
36	RC2-0561-000CN	Right center side plate guide
37	RC2-0562-000CN	Holder - Plastic assembly that holds optional input connector
38	RM1-3749-000CN	Face-down output roller assembly - Black roller shaft with four soft rollers