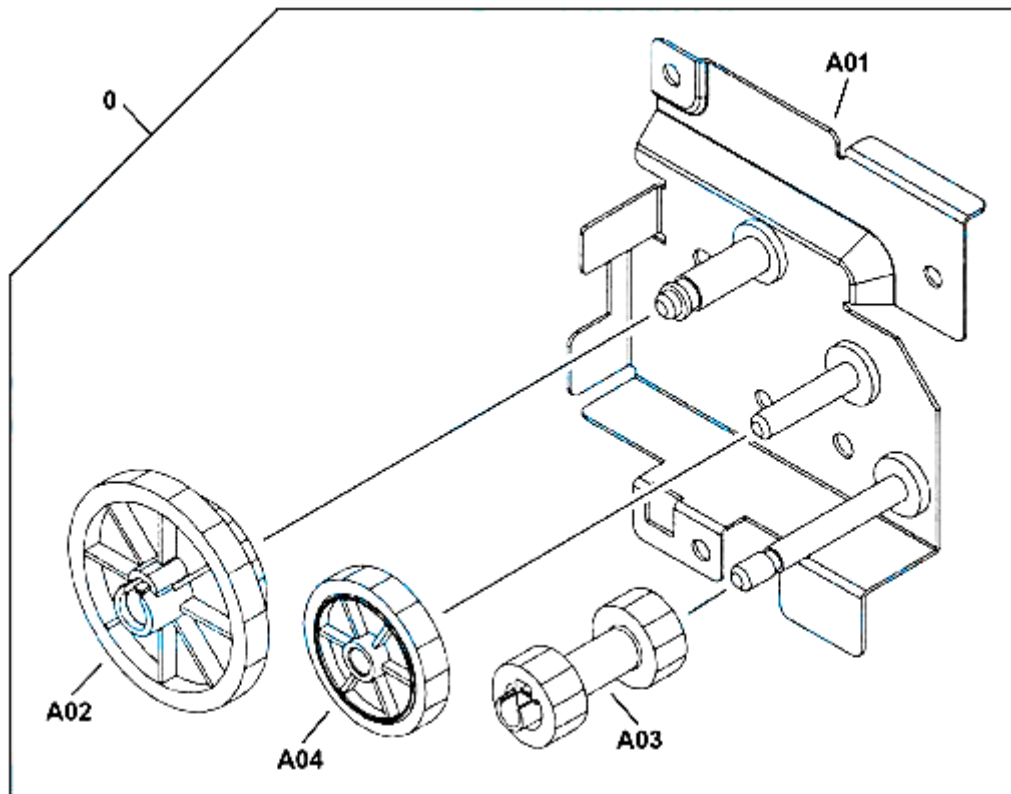


# LaserJet M5025/M5035 MFP



## PARTS TABLE

Item Number	Part Number	Description	Printer Compatibility Notes
230-0	<a href="#">RM1-2972-000</a>	Lower Drive Ass'y	LaserJet M5025/M5035mfp Series
230-A01	N/A	Plate, Drive, Lower	LaserJet M5025/M5035mfp Series
230-A02	N/A	Gear, 43T/26T	LaserJet M5025/M5035mfp Series
230-A03	N/A	Gear, 14T/14T	LaserJet M5025/M5035mfp Series
230-A04	N/A	Gear, 29T	LaserJet M5025/M5035mfp Serie