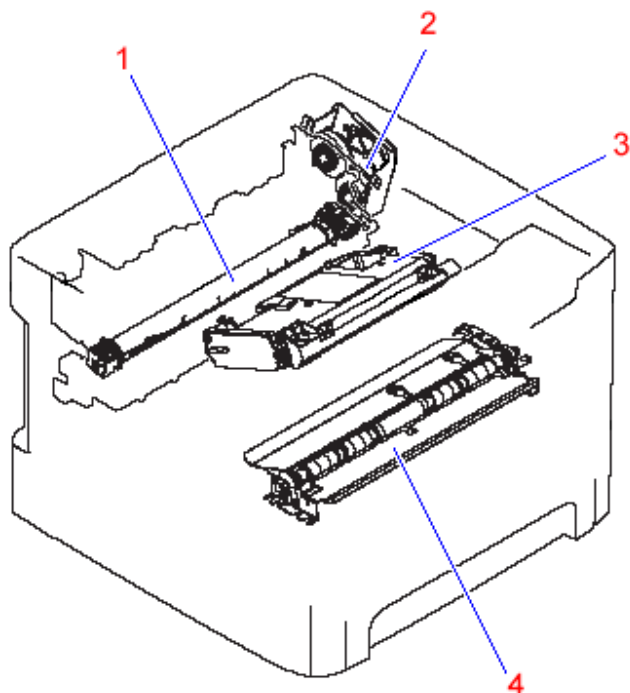


HP LaserJet 1320 Main Assembly Locator (1 of 2) Diagram



REF	PART #	DESCRIPTION
1	RM1-1289	Fusing assembly - Bonds toner to paper with heat - For 110V to 127VAC operation - Mounts to the upper rear of the print engine assembly
	RM1-2337	Fusing assembly - Bonds toner to paper with heat - For 220V to 240VAC operation -
2	RM1-1302	Duplexing gear assembly - Includes the normal and reverse rotation gear assemblies, and idler gear mounted on a support bracket - Drives the top output bin and rear rollers - Mounts on the upper rear corner of the right side plate assembly
3	RM1-1470	Laser/scanner assembly - Mounts on the laser/scanner support shelf

4	RM1-1281	Registration roller assembly - Includes the frame, the two roller assemblies, and the upper transfer guide - Mounts in the front middle of the print engine assembly
---	----------	--