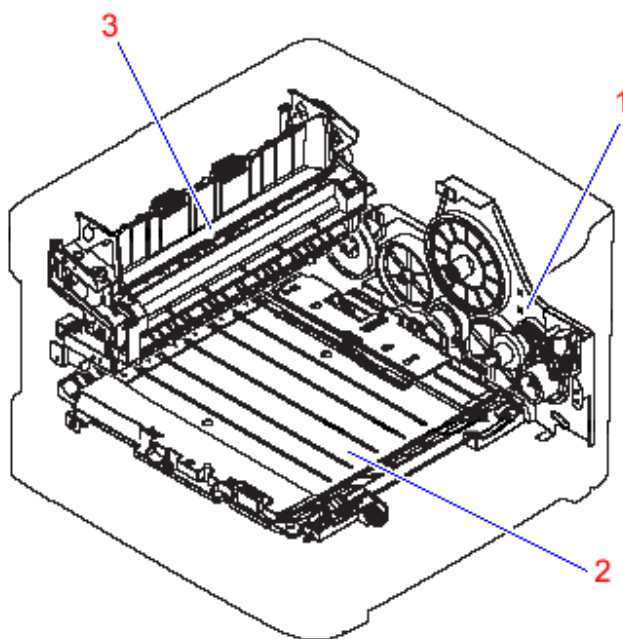


HP LaserJet 1320 Main Assembly Locator (2 of 2) Diagram



REF	PART #	DESCRIPTION
1	RM1-1299	Main drive gear assembly - Large plate with ten drive gears and the single sheet priority drive clutch (SL2) - Mounts on the right side plate assembly
2	RM1-1313	Duplexer assembly - Includes the paper guide plate, output guide rollers, and size change assembly - Slides in the opening on the lower rear of the printer
3	RM1-1289	Fusing assembly - Bonds toner to paper with heat - For 110V to 127VAC operation - Mounts to the upper rear of the print engine assembly
	RM1-2337	Fusing assembly - Bonds toner to paper with heat - For 220V to 240VAC operation -