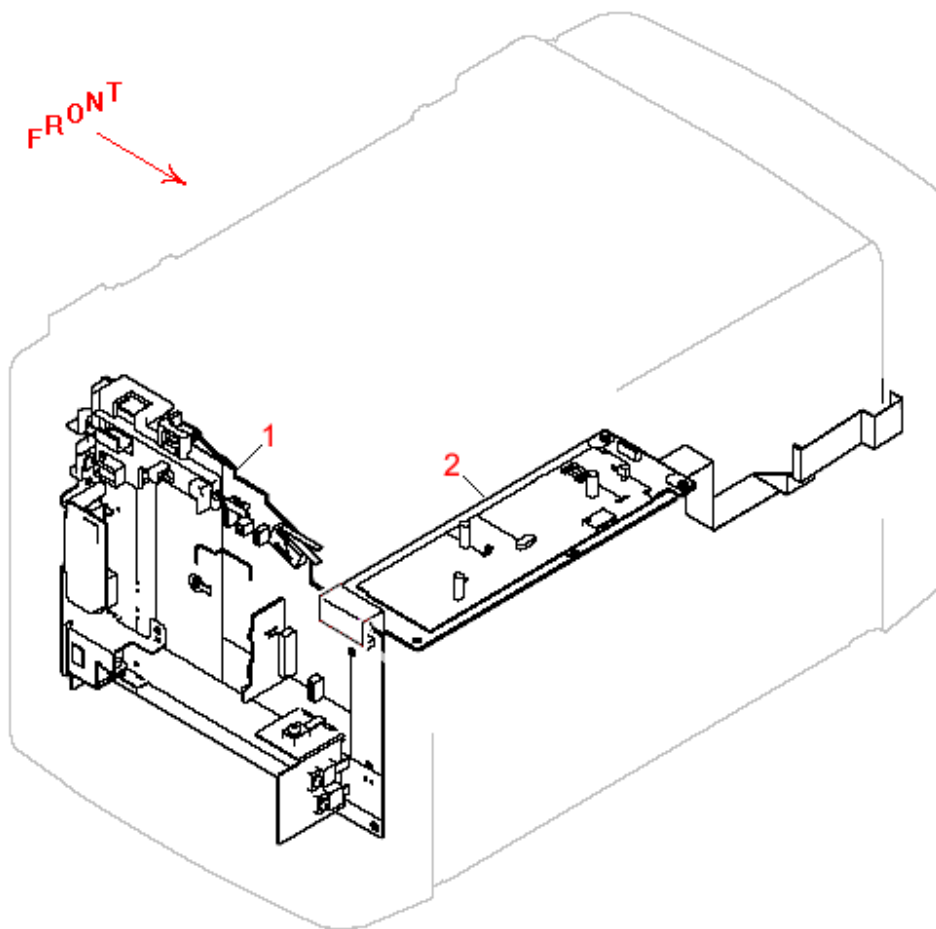


HP LaserJet 3030 All-In-One Printer PC Board Locations Diagram



REF	PART #	DESCRIPTION
1	Q2663-60011	Line interface unit (LIU) PC board - Provides telephone communications (for fax capabilities) to the printer - For the United States and World Wide EXCEPT Europe - Mounts on the right side of the printer just below the formatter board
	Q2668-60001	Formatter board - Controls the logic and timing operation of the printer, translates the control panel input, and provides control of the scanner assembly - Does NOT include the LIU board - Mounts on the right side of the printer

2	RM1-0907	Print engine control board - Provides motor drive, paper motion monitoring and printing control - Mounts next to the laser/scanner assembly
----------	----------	---