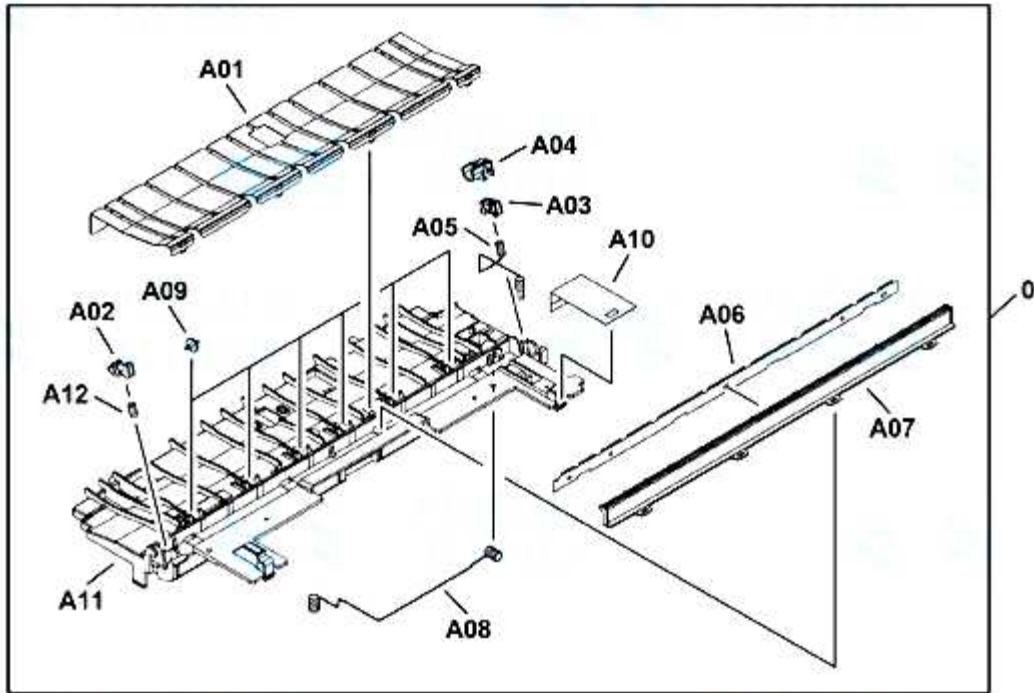


LaserJet M5025/M5035 MFP



PARTS TABLE

Item Number	Part Number	Description	Printer Compatibility Notes
250-0	RM1-3009-000	Paper Feed Ass'y	LaserJet M5025/M5035mfp Series
250-A01	N/A	Plate, Paper Feed	LaserJet M5025/M5035mfp Series
250-A02	N/A	Bushing	LaserJet M5025/M5035mfp Series
250-A03	N/A	Bushing	LaserJet M5025/M5035mfp Series
250-A04	N/A	Cover, Transfer Bushing, Right	LaserJet M5025/M5035mfp Series
250-A05	N/A	Spring, Compression	LaserJet M5025/M5035mfp Series

250-A06	N/A	Eliminator, Static Charge	LaserJet M5025/M5035mfp Series
250-A07	N/A	Cover, Static Charge Eliminator	LaserJet M5025/M5035mfp Series
250-A08	N/A	Spring, Compression	LaserJet M5025/M5035mfp Series
250-A09	N/A	Roller	LaserJet M5025/M5035mfp Series
250-A10	N/A	Sheet, Transfer Insulating	LaserJet M5025/M5035mfp Series
250-A11	N/A	Guide, Paper Feed	LaserJet M5025/M5035mfp Series
250-A12	N/A	Spring, Compression	LaserJet M5025/M5035mfp Series