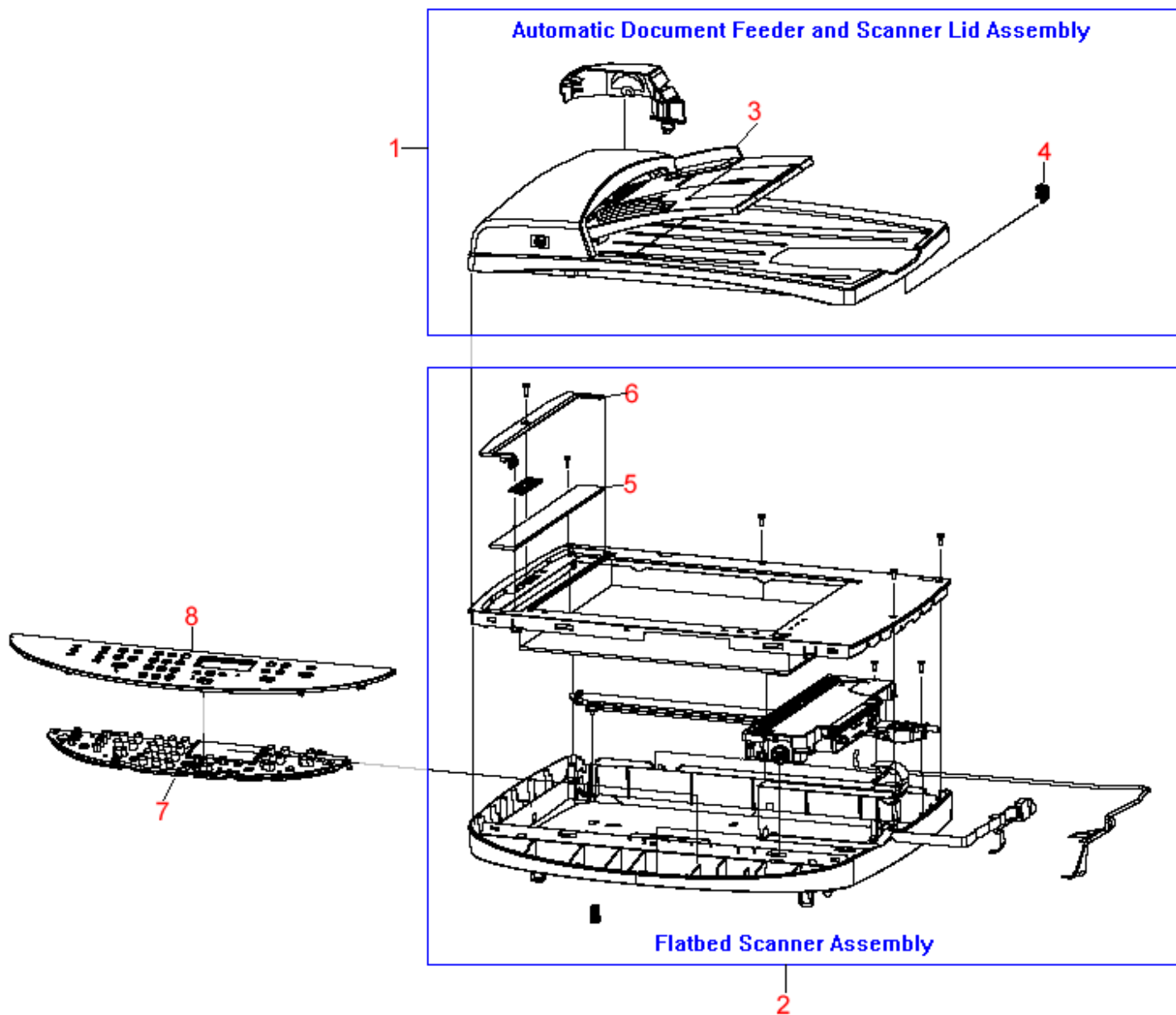


HP LaserJet 3030 All-In-One Printer Scanner Assembly - Exploded View Diagram



REF	PART #	DESCRIPTION
1	Q2665-60117	Automatic document feeder (ADF) and flatbed scanner lid - Includes the lid and the ADF feed mechanism - Mounts on top of the scanner assembly

2	Q2665-60116	Flatbed scanner assembly - Includes the scanner base, internal scanning mechanism, and ADF glass - Does NOT include the ADF/scanner lid assembly, the control panel, or control panel bezel
3	Q2665-60109	ADF input paper tray assembly - Includes the tray base and adjustable width guides with gear mechanism - Mounts on top of the ADF/scanner lid assembly
4	Q1636-40036	Hinge locking clip - Locks the ADF/scanner lid assembly on the flatbed scanner - Clips in the right hinge slot (above the printer parallel port) on the rear of the ADF/scanner lid assembly
5	C7296-00014	ADF glass window (ONLY) - Small glass window that mounts on the left end of the scanner assembly - Used when scanning documents from the ADF assembly
6	Q1636-40037	ADF glass retainer (C-shaped plastic frame) - Holds the ADF glass in place - Mounts on the left end of the flatbed scanner assembly
7	Q2666-60101	Control Panel assembly for the LaserJet 3030 - Includes the function buttons and display mounted on a circuit board - Does not include the bezel - Mounts in the front curved area on the scanner base
8	Q2666-40002	Control panel bezel - D-shaped plastic piece with cutouts for the control function keys and display (English)