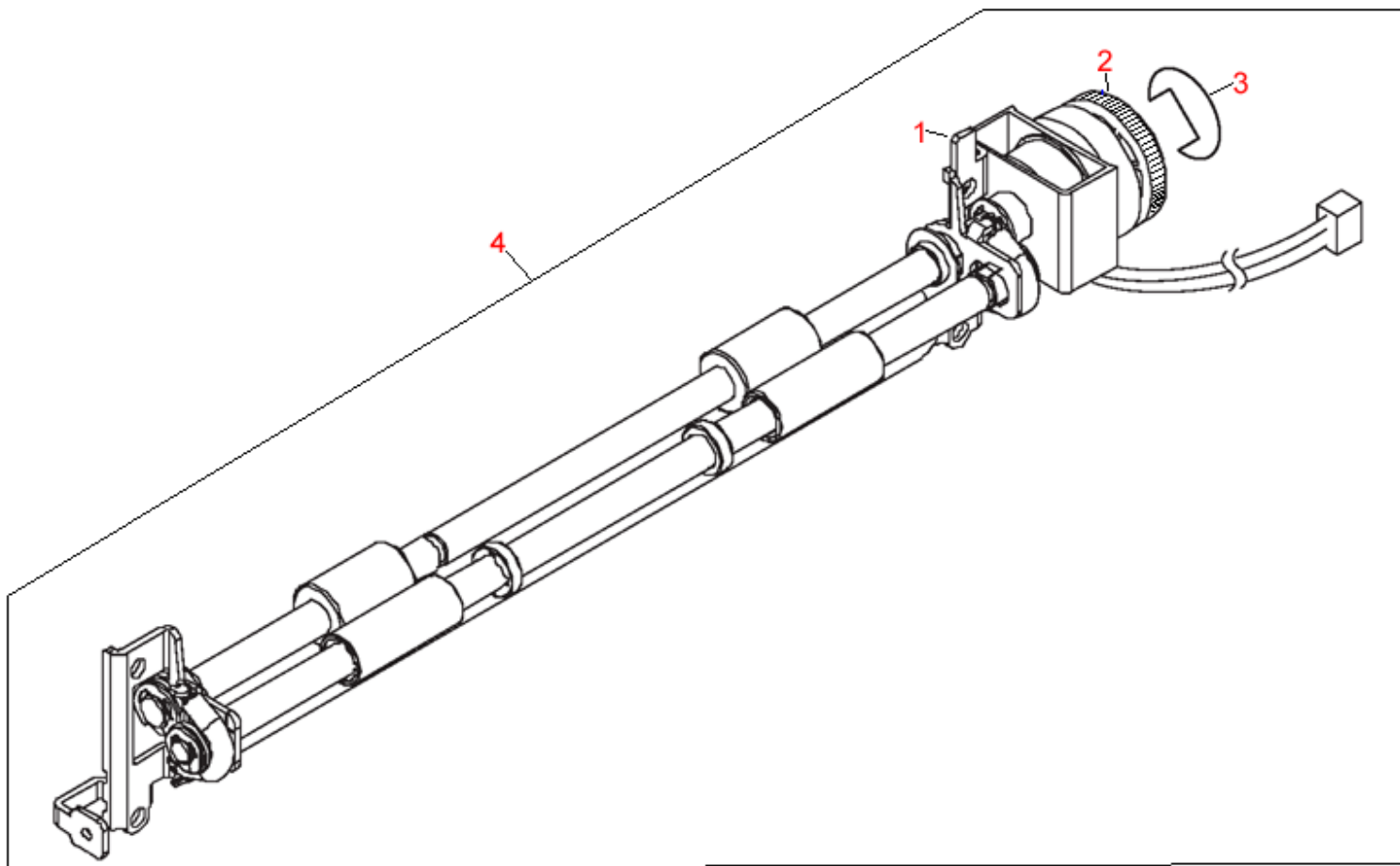


HP LaserJet 4250 Feed Roller Assembly Diagram



REF	PART #	DESCRIPTION
1	RK2-0349	Paper feed assembly clutch - Electro mechanical clutch that connects to the white 30 tooth gear - CL 101
2	RU5-0050	30 tooth gear - Black plastic gear that attaches to paper feed assembly clutch
3	XD9-0234	E-Type retainer ring
4	RM1-0012	Paper feed roller assembly