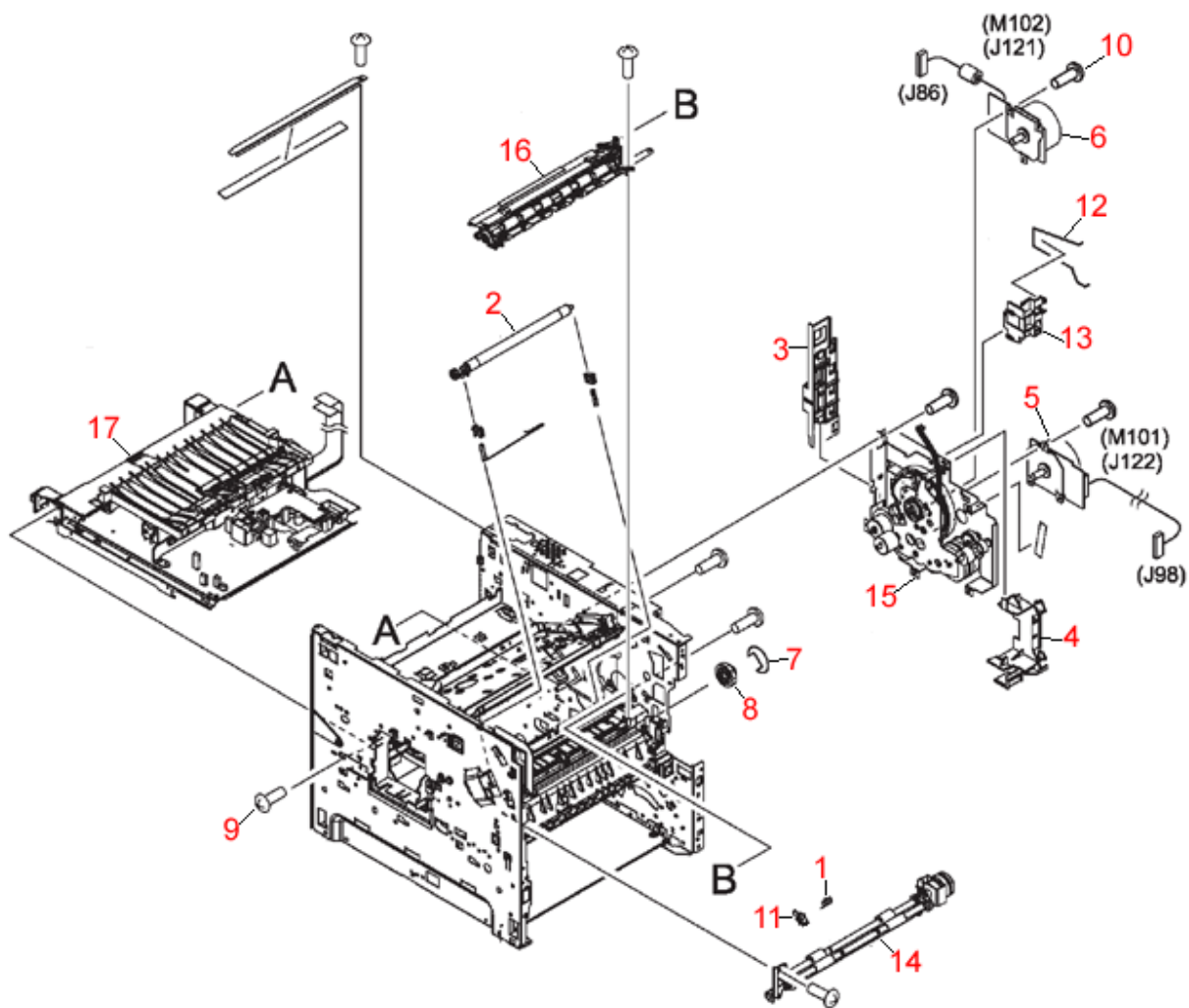


## HP LaserJet 4250 Internal Components (1 of 3) Diagram



REF	PART #	DESCRIPTION
<b>1</b>	RC1-0061	Torsion spring
<b>2</b>	RM1-1110	Transfer roller assembly - Long black spongy roller - Transfers charge to paper
<b>3</b>	RC1-	DC Controller flat cable guide

	0269	
<b>4</b>	RC1-0270	DC Controller board cable guide
<b>5</b>	RK2-0274	Toner cartridge motor - Motor on front right side of printer (M102)
<b>6</b>	RK2-0272	Main motor - M101
<b>7</b>	XD9-0232	E-ring keeper - Attaches to drive end of registration roller to secure cluster gear
<b>8</b>	RU5-0015	14T/30T cluster gear - Attaches to drive end of registration roller
<b>9</b>	XA9-1500	M3 pan-head Phillips screw with flat washer - 8mm long
<b>10</b>	XA9-1503	M3 truss head (Flanged) Phillips screw (Black oxide finish) - 6mm long
<b>11</b>	RC1-0060	Paper feed sensor flag for Tray 1
<b>12</b>	RC1-3339	Fan rod - Metal rod that mounts against Fan 2 on right side of printer - Used for noise reduction of Fan 2
<b>13</b>	RC1-3340	DC Controller board cable guide
<b>14</b>	RM1-0012	Paper feed roller assembly
<b>15</b>	RM1-1066	Main drive assembly - Main gear assembly on right side of printer
<b>16</b>	RM1-1098	Registration roller assembly
<b>17</b>	RM1-1070	Power supply assembly - For LaserJet 4240/4250/4350 - For 110V to 127VAC operation
	RM1-1071	Power supply assembly - For LaserJet 4240/4250/4350 - For 220V to 240VAC operation