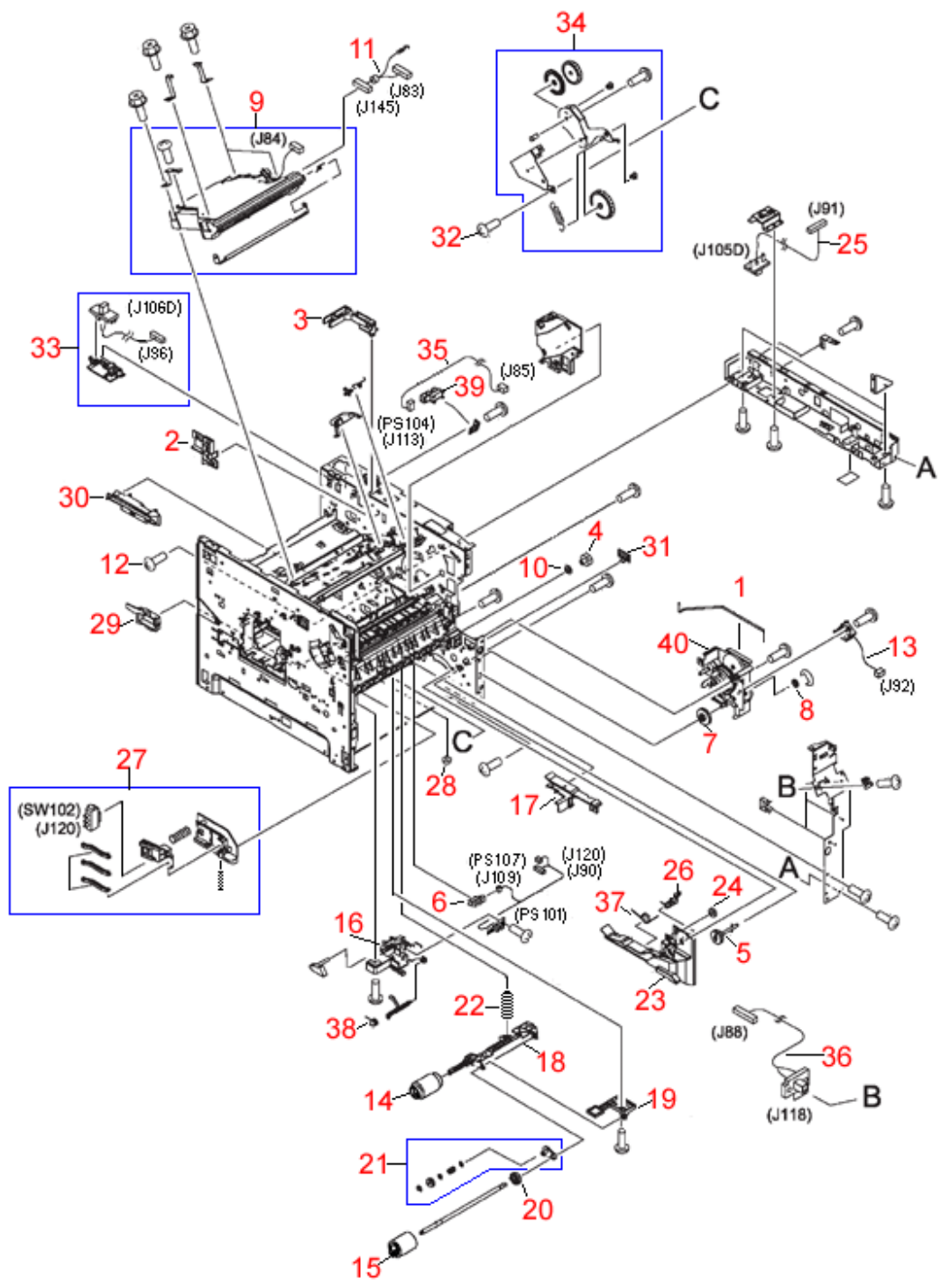


HP LaserJet 4250 Internal Components (2 of 3) Diagram



REF	PART #	DESCRIPTION
1	RC1-0268	Metal rod between external power button and switch on power supply board
2	RC1-0340	Scanner cable guide - Mounts below accessory interface connector cable on right side of chassis
3	RC1-0273	Paper feed belt guide for left side
4	RU5-0045	18 tooth gear - Located on right side of printer in the Tray 2 paper pickup assembly
5	RL1-0264	Gear - Gear with attached shaft - Driven by pickup drive assembly on right front of printer
6	WG8-5624	Photo-sensor (TLP1241) - Sensor flag activated
7	RU5-0040	Gear - 23 tooth gear in lower front section of pickup drive assembly
8	RC1-0206	Bushing - On right side of paper pickup drive assembly
9	RM1-1067	Laser/scanner assembly for 4250/4350 series LaserJet printers
10	RC1-0264	Feed roller shaft bushing - Bushing on right side of printer that supports the feed roller shaft.
11	RM1-1198	Laser cable - Connects between DC Controller board and laser scanner unit - J145 to J83
12	XA9-1500	M3 pan-head Phillips screw with flat washer - 8mm long
13	RK2-0269	Paper pickup solenoid
14	RM1-0036	Paper pickup roller - Gray spongy rubber roller on a white cylinder and 24 tooth white gear on one side
15	RM1-0037	Paper feed/separation roller assembly - Black rubber roller on a blue plastic cylinder
16	RC1-0208	Paper sensor flag holder
17	RC1-	Right front power supply guide - Attaches to right side of printer chassis

	0243	
18	RC1-3352	Paper pickup arm - Pickup and feed roller holder for Tray 2 paper pickup assembly
19	RC1-0212	Paper pickup arm holder - Holder for pickup roller shaft
20	RC1-0371	23 Gear - Gear that drives paper feed roller - Attaches to feed roller shaft
21	RL1-0013	Swing plate - Pivot mount for pickup roller shaft
22	RC1-0213	Compression spring - Provides pressure for paper pickup and feed rollers in Tray 2 pickup assembly
23	RC1-0153	Right side Tray 2 paper cassette guide
24	RC1-0330	Solenoid damper - Locate on right side of Tray 2 guide - Works with kicker to dampen Tray 2 pickup solenoid on right side of tray guide
25	RM1-1192	Power cable for Tray 3 paper feeder - Black connector with 42mm six wire cable to white connector
26	RL1-0015	Kicker assembly - Mounts to right side of the printer and is connected to the right side guide - Senses when the paper cassette is inserted into the printer
27	RM1-0041	Tray 2 paper size tray sensing assembly - White plastic tray size sensing fingers and micro switch assembly
28	RB1-8107	Rubber foot - Replacement rubber foot for the bottom of the printer (four used)
29	RC1-0242	Inner right side edge guard - Small plastic guard that protects wires inside chassis on right side of printer.
30	RC1-0244	Support guide - Supports right rear side of power supply board
31	RC1-0247	Right side edge guard - Small plastic guard that protects wires - Mounts on right outer side of printer chassis.
32	XA9-1503	M3 truss head (Flanged) Phillips screw (Black oxide finish) - 6mm long
33	RM1-0042	Accessory cable/connector - Connector for stacker and stacker/stapler accessory at top right rear of printer
34	RM1-	Swing plate assembly - For Tray 2 paper lift assembly - Located between the main gear

	0043	assembly and the fuser, just above the power supply.
35	RM1-1189	Top bin full sensor cable
36	RM1-1193	Envelope feeder cable - From DC Controller board to envelope feeder connector - Includes envelope feeder connector
37	RC1-0254	Torsion spring - Provides tension for Tray 2 kicker - Mounts on Tray 2 guide assembly
38	RC1-1923	Torsion spring - Provides tension for paper sensor flag
39	WG8-5624	Photo-sensor (TLP1241) - Sensor flag activated
40	RM1-0034	Paper pickup assembly - Paper pickup drive assembly for Tray 1/Multipurpose input tray