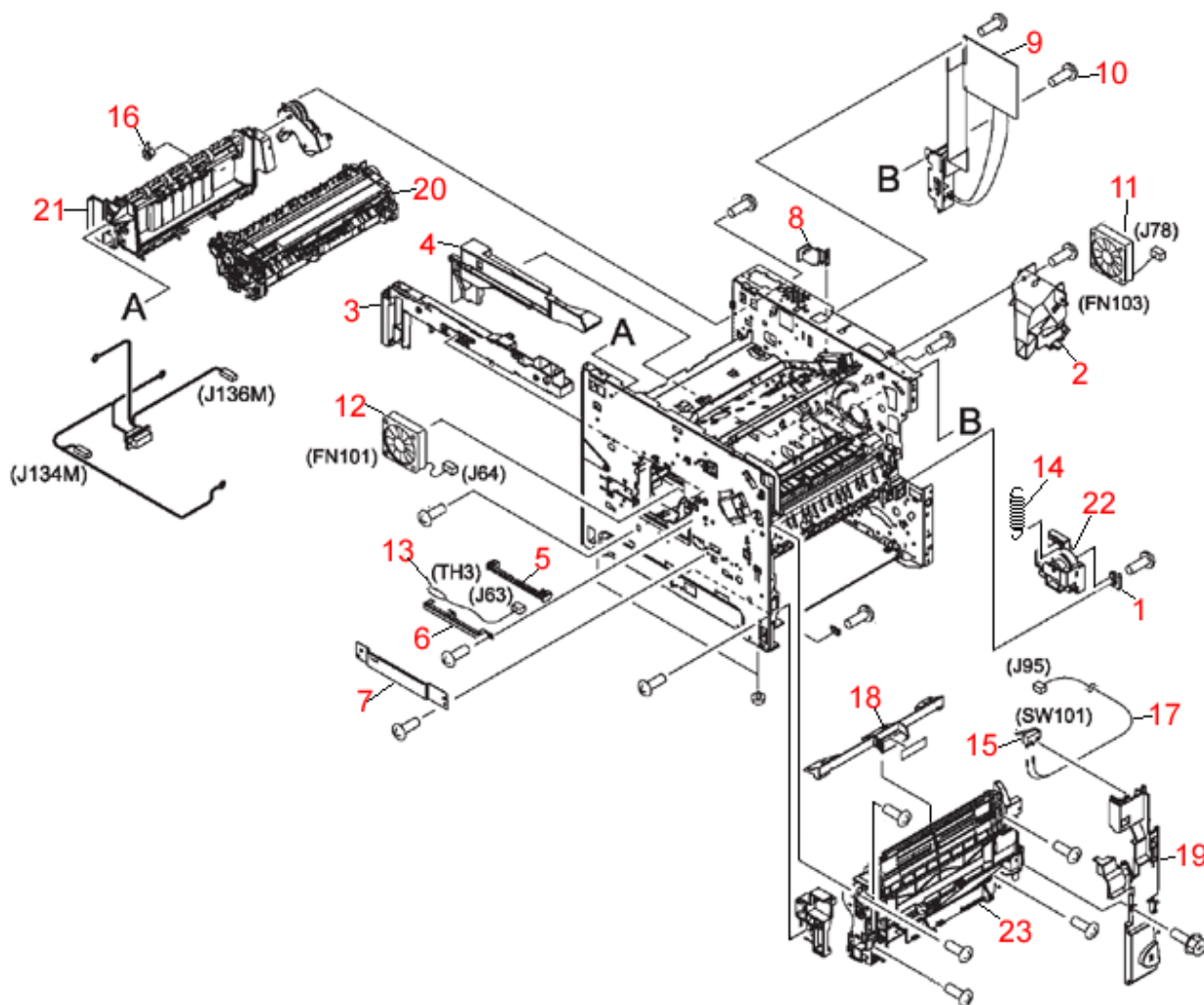


## HP LaserJet 4250 Internal Components (3 of 3) Diagram



REF	PART #	DESCRIPTION
1	RC1-0200	Lifter drive assembly support - Tray 2 paper pickup lifter drive support assembly
2	RC1-3338	Fan duct - Air duct and fan mount for Fan 2 - Fan duct on right side of printer
3	RC1-	Paper feed belt guide for left side

	0273	
<b>4</b>	RC1-0274	Paper feed belt guide for right side
<b>5</b>	RC1-0342	Thermistor holder - Plastic inside half of thermistor holder
<b>6</b>	RC1-0343	Thermistor holder - Metal outside half of thermistor holder
<b>7</b>	RC1-0344	Fan cover - Metal support strap that main cooling fan fastens to - For fan FN101, main cooling fan on right left side of printer
<b>8</b>	RC1-0386	Connecting cable guide - Routes and protects all cables running from top portion of printer to the DC controller board
<b>9</b>	RM1-1108	DC controller board - DC Controller for LaserJet 4250/4350 series
<b>10</b>	XA9-1500	M3 pan-head Phillips screw with flat washer - 8mm long
<b>11</b>	RK2-0280	Cooling fan on right side of printer - Print cartridge fan - FN103
<b>12</b>	RK2-0278	Cooling fan on left side of printer - FN101
<b>13</b>	RK2-0359	Environment temperature detection thermistor - Detects ambient air temperature to determine length of time for fuser warm up.
<b>14</b>	RC1-0198	Tension spring - Provides tension for lifter drive assembly
<b>15</b>	WC4-5139	Top cover interlock access switch
<b>16</b>	RC1-0136	Roller bushing - Bushing that supports middle of paper delivery roller
<b>17</b>	RG1-4213	Top Cover cable - From top cover micro switch (SW101) to DC Controller board
<b>18</b>	RC1-0320	Envelope cover - Plastic piece above Tray 1 pickup roller
<b>19</b>	RC1-0019	Inner right front cover
<b>20</b>	RM1-	Fuser assembly - For LaserJet 4250/4350 series - 110 VAC

	1082	
<b>21</b>	RM1-0026	Paper delivery assembly - Paper output roller assembly
<b>22</b>	RM1-1074	Tray 2 lifter drive assembly - Provides lift support for paper tray
<b>23</b>	RM1-1097	Tray 1 paper input assembly