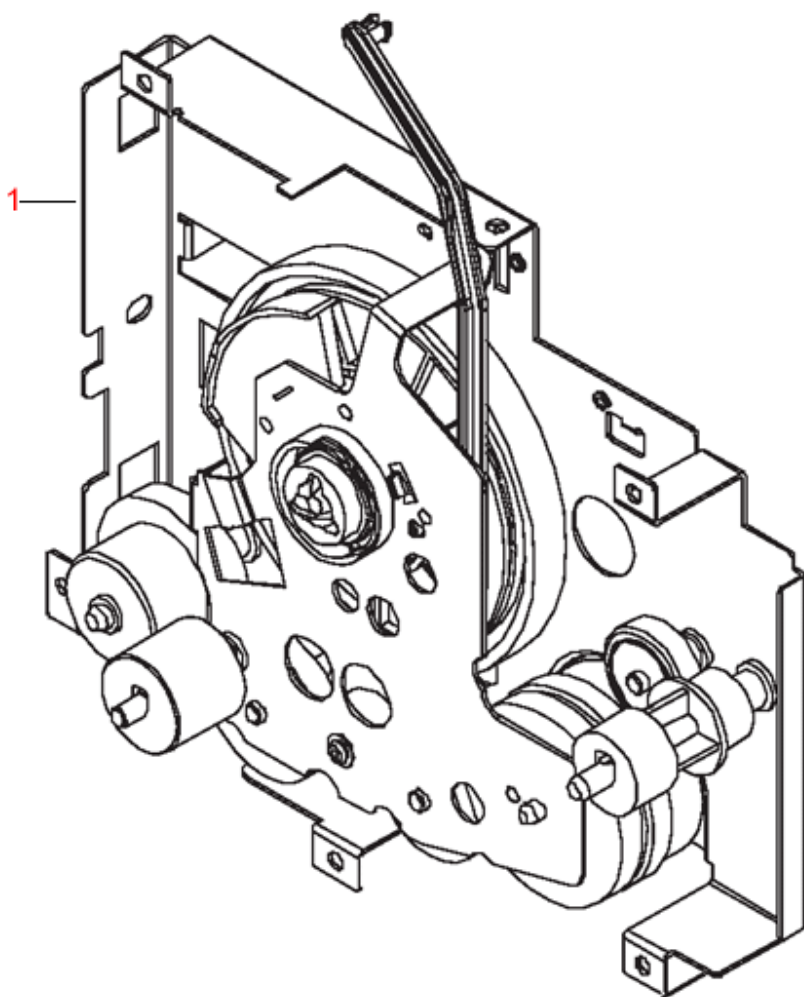


## HP LaserJet 4250 Tray 1 Pickup Assembly Diagram



REF	PART #	DESCRIPTION
1	RM1-1097	Tray 1 paper input assembly
2	RL1-0007	Tray 1 paper separation pad
3	RK2-0276	Tray 1 solenoid - Engages Tray 1 pickup roller
4	RL1-0019	Tray 1 pickup roller - D shaped roller under envelope cover
5	RM1-0005	Drop down Tray 1 - Includes adjustable paper width guide assembly