
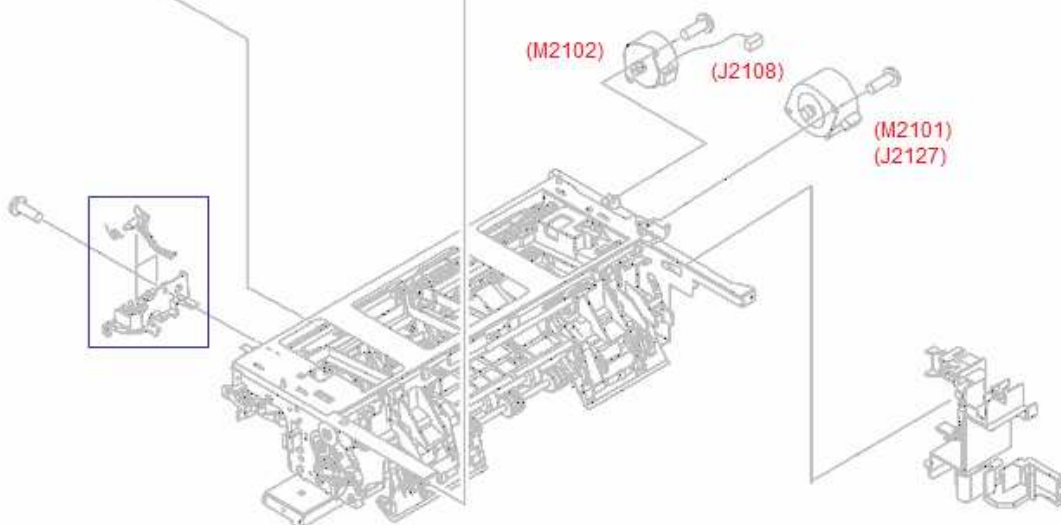
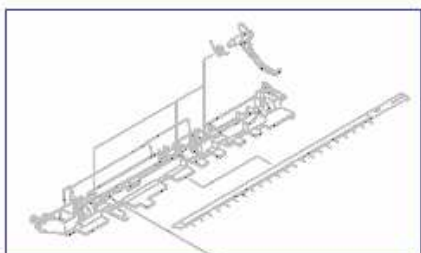
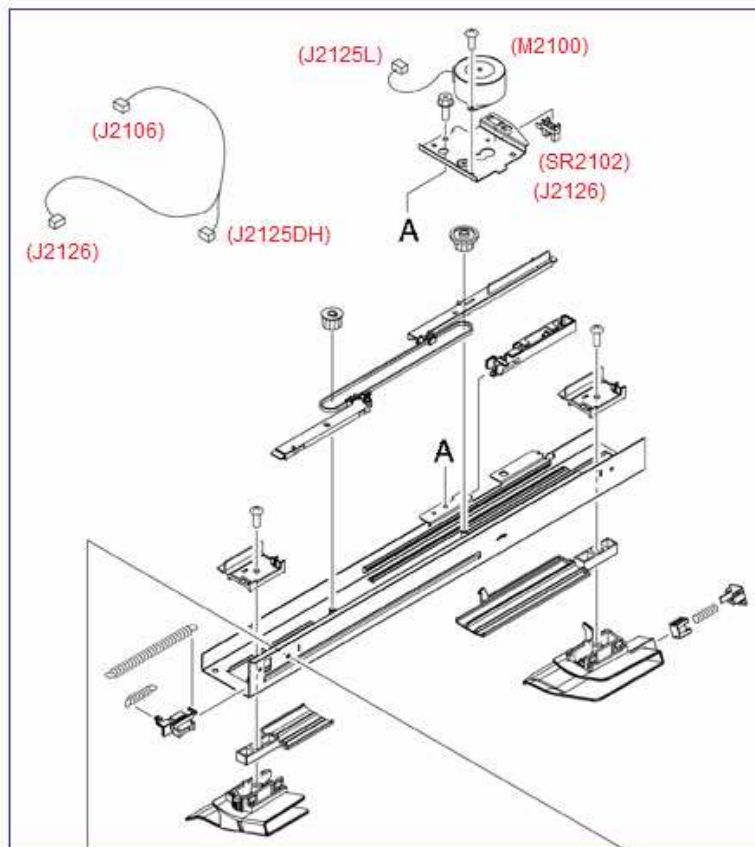


Alignment/jogger assembly (stapler/stacker)

- 1-  Alignment and jogger assembly (stapler/stacker)



REF	PartNumber	Description
1	RM1-3098-000CN	Alignment and jogger assembly - For the stapler/stacker
2	RM1-3099-000CN	Jog guide assembly - Mechanical device that prevents sheets for jogging with the holding platform