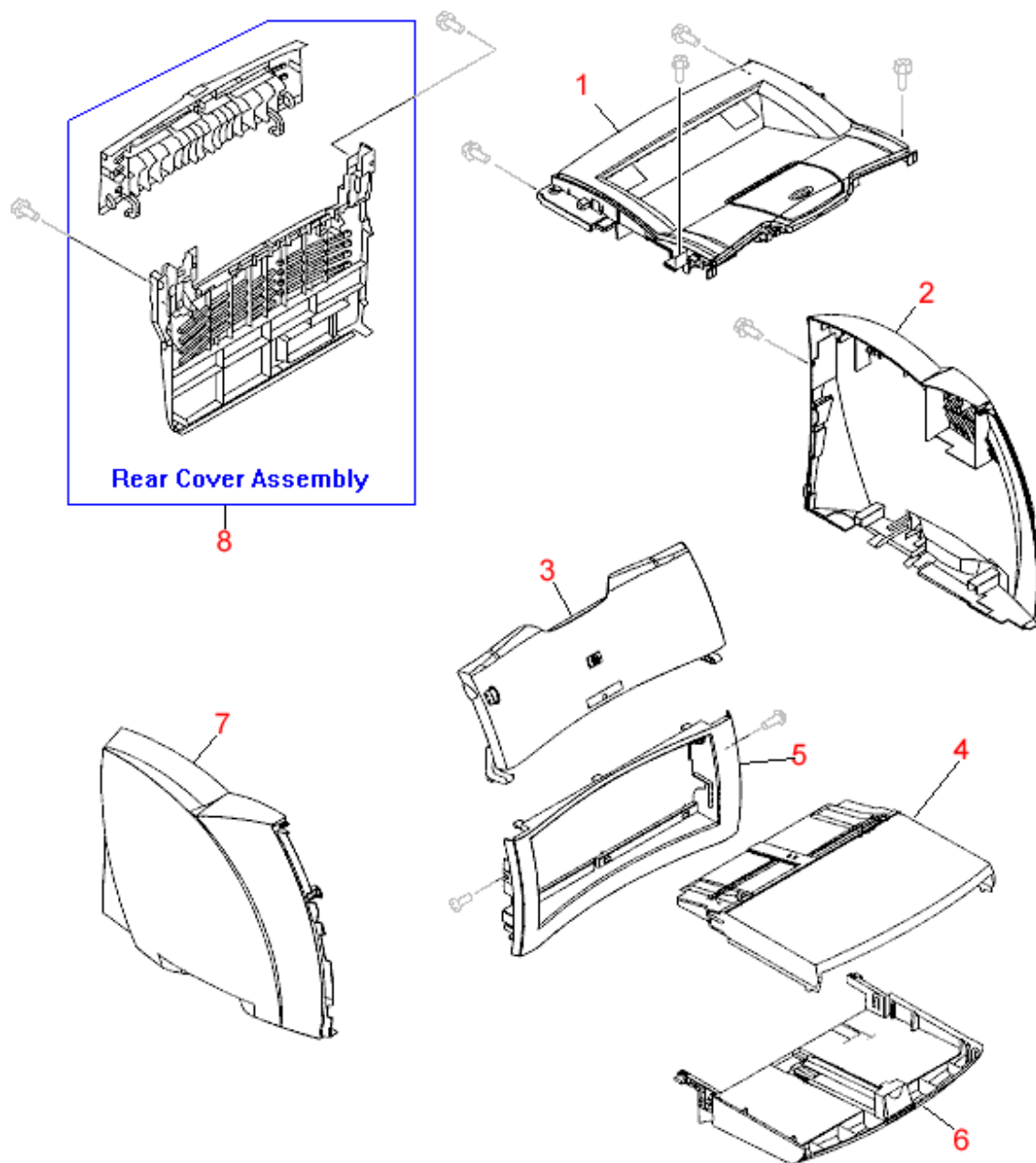


HP LaserJet 1300 External Covers Diagram



REF	PART #	DESCRIPTION
1	RM1-0552	Top cover assembly - Has face-down paper output tray molded into it
2	RC1-1822	Right side cover assembly - Has molded-in air intake louvers
3	RM1-0543	Toner cartridge door - Fold down door used when accessing the toner cartridge - Mounts to the top of the front cover
4	RM1-0554	Paper tray cover assembly - Includes translucent blue plastic cover with plastic width adjustment guides (Blue) for 'priority' paper input
5	RC1-1821	Front cover - Lower front of printer - With opening for inserting the paper input tray assembly
6	RM1-0553	Printer input paper tray assembly - Includes bottom tray, paper length adjustment lever, and extension arm
7	RC1-1823	Left side printer cover - Covers the USB and LIO port connectors (On the formatter board)
8	RM1-0544	Rear cover assembly - Includes rear cover and fold down face-up (or straight through) paper output tray (Tray is NOT sold separately)