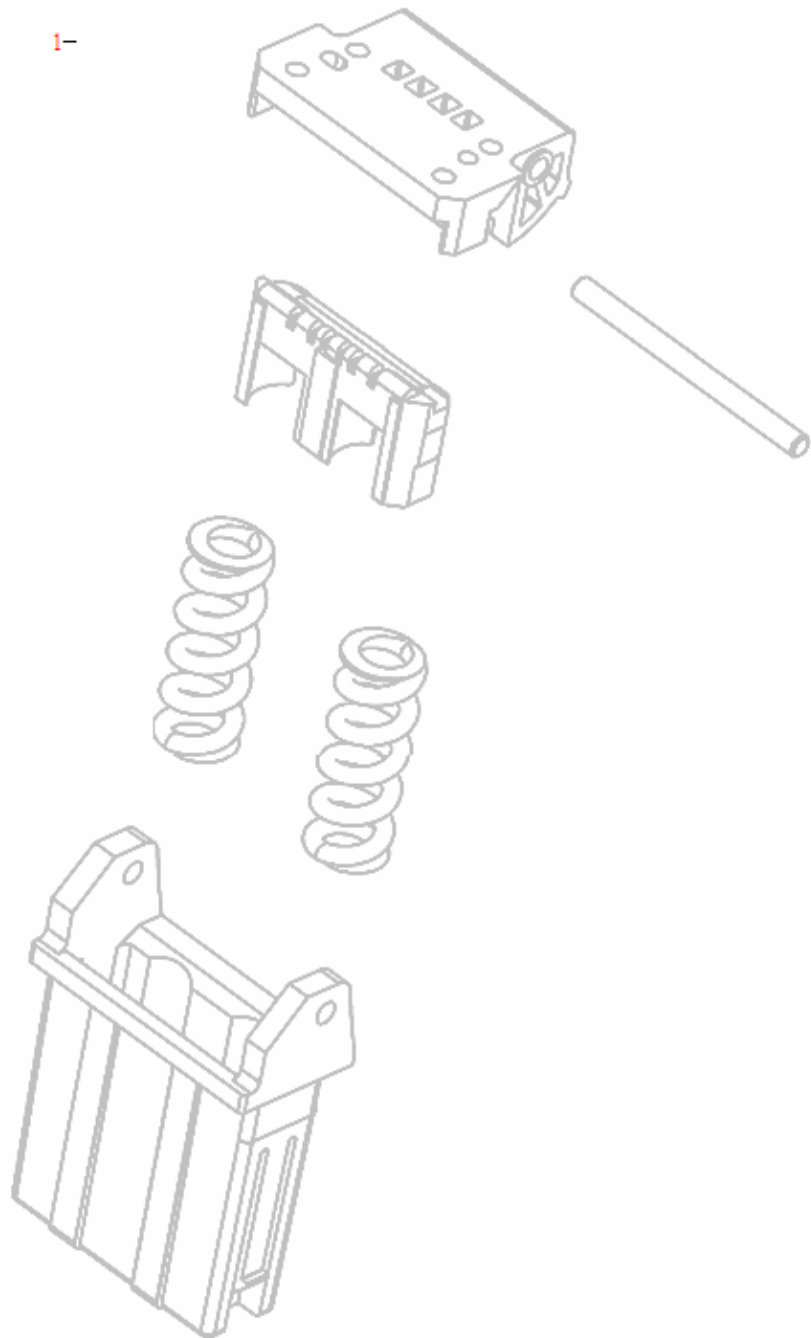


**Hinges (ADF)**



REF	PartNumber	Description
1	Q7829-67916	ADF hinge - For the top cover (document lid) on the scanner (two are required)