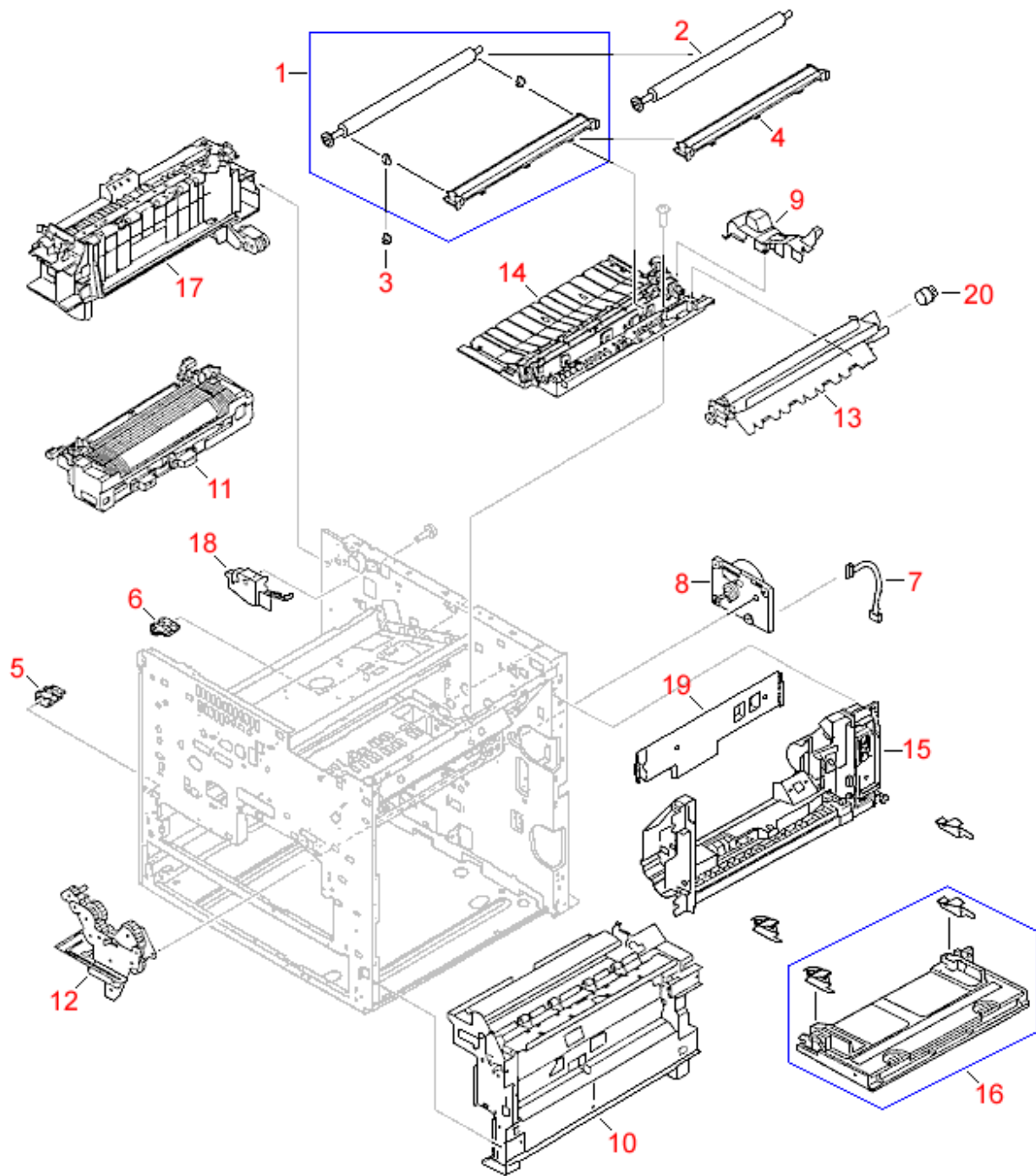


## HP LaserJet 8100 Internal Components (1 of 4) Diagram



<b>REF</b>	<b>PART #</b>	<b>DESCRIPTION</b>
<b>1</b>	RG9-1361	Transfer roller assembly - Includes transfer guide, both transfer bushings and transfer roller
<b>2</b>	RF9-1394	Transfer roller - Transfer charge roller (Black)
<b>3</b>	RB1-6441	Transfer guide bushing - Transfer guide bushing - Mounted on transfer roller - Two used
<b>4</b>	RF5-2676	Transfer guide - Mounting bracket for the transfer roller - Mounts to the top of the feed guide assembly
<b>5</b>	RB1-6461	Damper holder - Front damper holder
<b>6</b>	RB1-6462	Damper holder - Rear damper holder
<b>7</b>	RG5-4386	Cable assembly - From DC controller board to main motor
<b>8</b>	RH7-5219	Main motor - Mounted on rear of chassis
<b>9</b>	RB2-3631	Paper feed clutch cover
<b>10</b>	C4214-69017	Paper pickup assembly - Includes pickup, feed and separation rollers - Picks up paper from upper and lower paper trays
<b>11</b>	C4265-69004	Fusing assembly (For 100V to 120V operation) - Bonds toner to paper with heat
	C4265-69005	Fusing assembly (For 220V to 240V operation) - Bonds toner to paper with heat
<b>12</b>	RG5-4365	Main drive gear assembly - Driven by main motor - Mounted on rear of chassis
<b>13</b>	RG5-4303	Registration assembly - Set of rollers before toner cartridge and after feed rollers - Has green handle with the number 2 printed on it
<b>14</b>	RG5-4305	Feeder assembly - Transfer roller and registration assembly are mounted on this assembly - Mounted on upper right side of chassis
<b>15</b>	RG5-4330	Paper pickup assembly - For multipurpose/tray one paper input
<b>16</b>	RG5-4329	Multi-Purpose paper input tray (Tray 1) - Multipurpose Paper Input Tray (Tray 1) - Includes pull out extender tray
<b>17</b>	RG5-1874	Face down delivery assembly - Feeds paper to top of printer
<b>18</b>	RG5-1875	Face Up solenoid assembly - Face Up solenoid assembly - Mounted to rear of chassis

<b>19</b>	RB1-6749	Internal cover for Tray 1 pickup assembly
<b>20</b>	RG5-4308	Registration assembly clutch