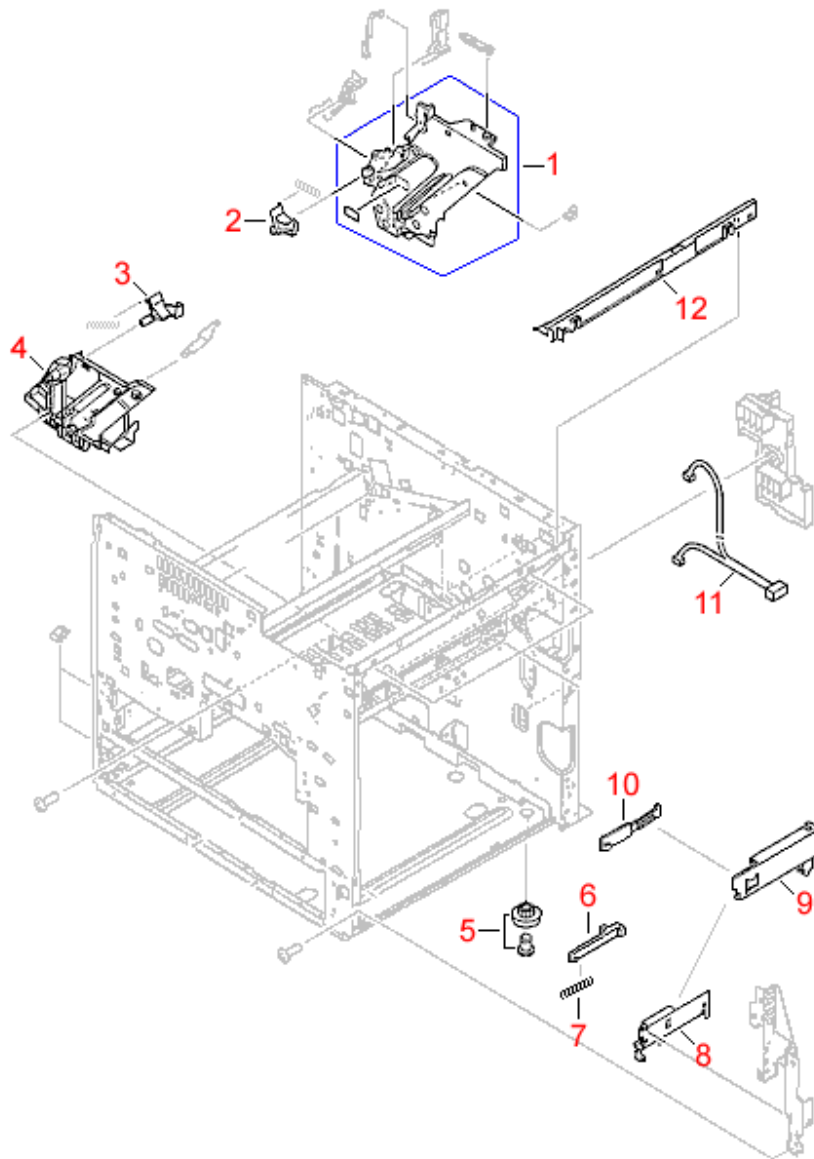


HP LaserJet 8100 Internal Components (2 of 4) Diagram



REF	PART #	DESCRIPTION
1	RG5-4364	Toner cartridge guide - Rear guide - Plastic piece with slot to guide toner cartridge
2	RB1-6446	Release arm - Toner cartridge release arm - Hook shaped cartridge holder - Toner cartridge release arm - Hook shaped cartridge holder - Right side toner cartridge guide slot
3	RB1-6444	Release arm - Front toner cartridge release arm - Hook shaped cartridge holder - Left side of toner cartridge guide slot
4	RB2-3622	Toner cartridge guide - Plastic piece with slot to guide toner cartridge
5	RB1-6421	Chassis foot - Support for right side of printer chassis - Two used
6	RB1-6778	Rod - Tray connector rod for springs
7	RS5-2499	Tension spring - Front spring on metal slide
8	RB1-6776	Tray rail guide (Spring loaded metal guide) - Support for tray 2 and 3 - Mounts on the right side of internal chassis
9	RB1-6777	Right side tray rail - Channel that attaches to metal frame for tray two and three support
10	RB1-6783	Tray stop - Right side tray stopper - Attached to right rear side of Tray 2 and 3 - Blue plastic piece
11	RG5-1920	Cassette size sensor cable - Between cassette size sensor PCA's and formatter board
12	RB1-6464	Upper right side cover - Above drop down tray 1