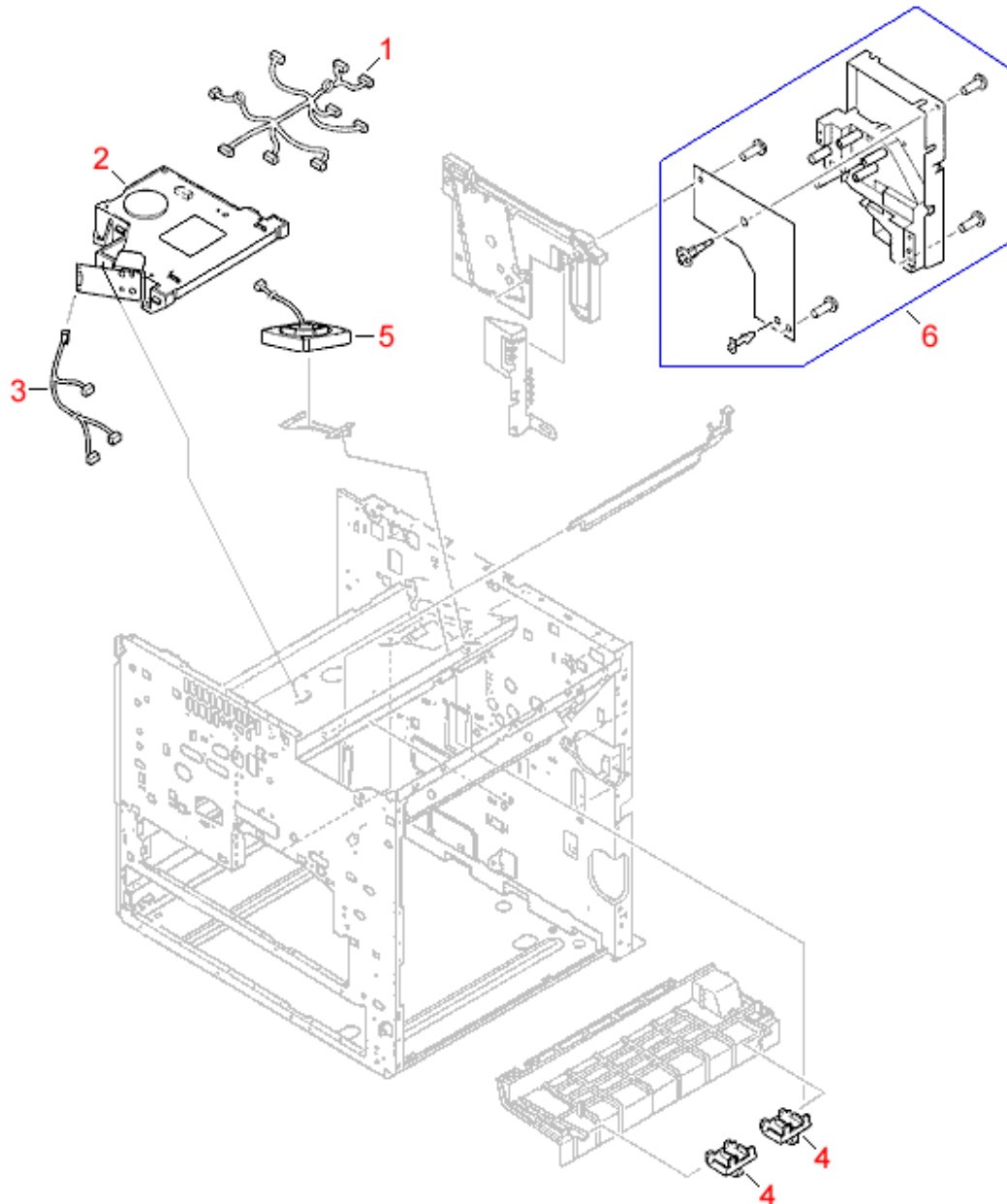


HP LaserJet 8100 Internal Components (3 of 4) Diagram



REF	PART #	DESCRIPTION
-----	--------	-------------

1	RG5-4378	Cable assembly with ferrites - Has many connectors: a 14-pin (F), an 11-pin (F), two 7-pin (F), a 5-pin (F), two 4-pin (F), and two 3-pin (F) - 85.6cm (33.7in) long - Scanner motor cable
2	C4214-69003	Laser/scanner assembly
3	RG5-4377	Cable assembly - An 11-pin (F) connector, a 10-pin (F) connector, and two 7-pin (F) connectors - 1.1m (3.7ft) long - Laser and control panel cable
4	RB1-6427	CG stopper - Toner cartridge guide stop - Holds toner cartridge in place
5	RH7-1396	Tube axial fan (low profile) - (FM1) - for the laser/scanner assembly power supply
6	RG5-4306	High Voltage Power Supply