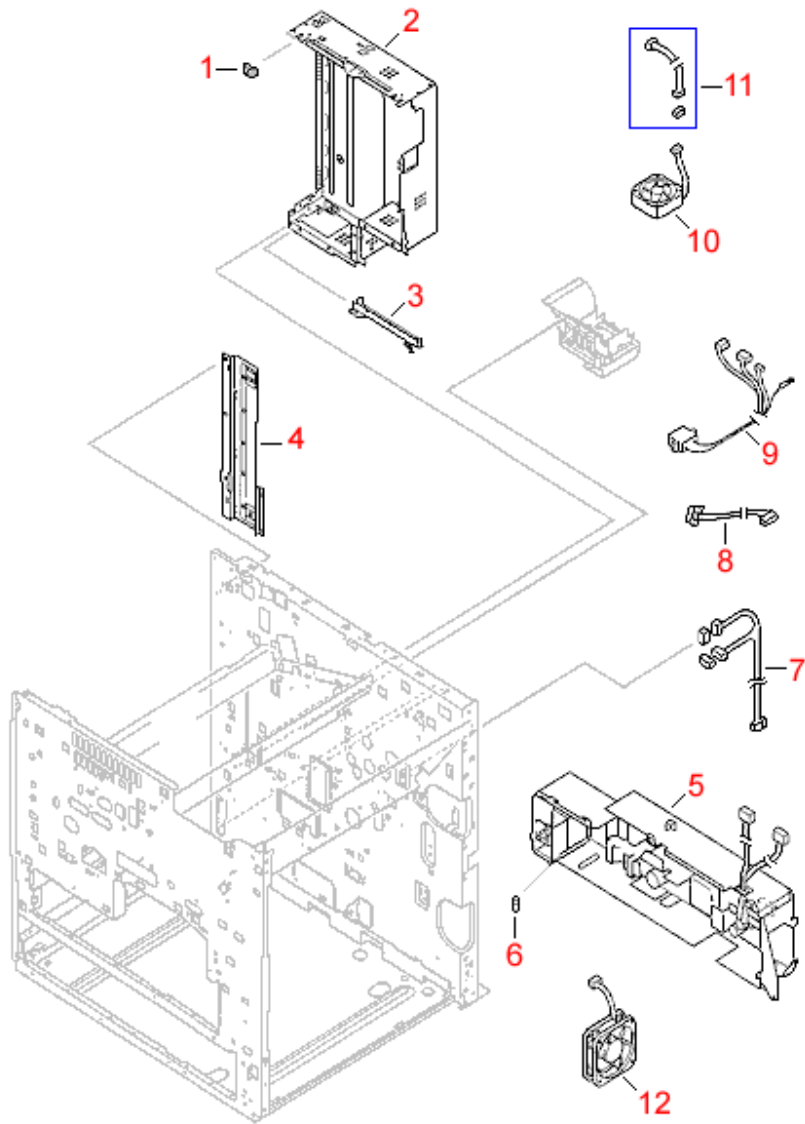


HP LaserJet 8100 Internal Components (4 of 4) Diagram



REF	PART #	DESCRIPTION
1	RB1-6771	PCA guide - Formatter board support guides

2	RF5-2678	Formatter board EMI shield - EMI shield - Formatter Board EMI protective cover
3	RB1-6775	Slide guide - Guide for formatter PCA
4	RF5-1464	Switch/sensor board plate - Shields switch/sensor PCA
5	C4265-69006	Low voltage power supply (120v,60Hz) - Includes power switch, AC receptacle and DC power supply
	RG5-4301	Low voltage power supply - 240VAC, 50Hz - Includes power switch, AC receptacle and DC power supply
6	VD5-0066	Low voltage power supply fuse - For 110/120V operation
	VD7-0646	Low voltage power supply fuse - For 220/240V operation
7	RG5-1928	Registration cable assembly - Includes 7P and 3P connectors
	RG5-4306	High voltage power supply assembly
8	RG5-1850	Duplexer cable assembly - From duplexer to DC controller
9	RG5-4381	Cable assembly - 18-pin (F) connector to 25.4cm (10in) grounding wire with ring terminal, 35.7cm (14in) cable with 4-pin (F) connector, 53.3cm (21in) cable with 1-pin (F) connector, and 86.4cm (34in) cable with 4-pin (F) connector - Fuser cable 1
10	RH7-1271	Tube axial fan - (FM3) - For the formatter board cooling - Mounts on the rear of the chassis
11	RG5-1921	Fan cable - Fan 3 power cable
12	RH7-1266	Tube axial fan - (FM2) - For the low voltage power supply