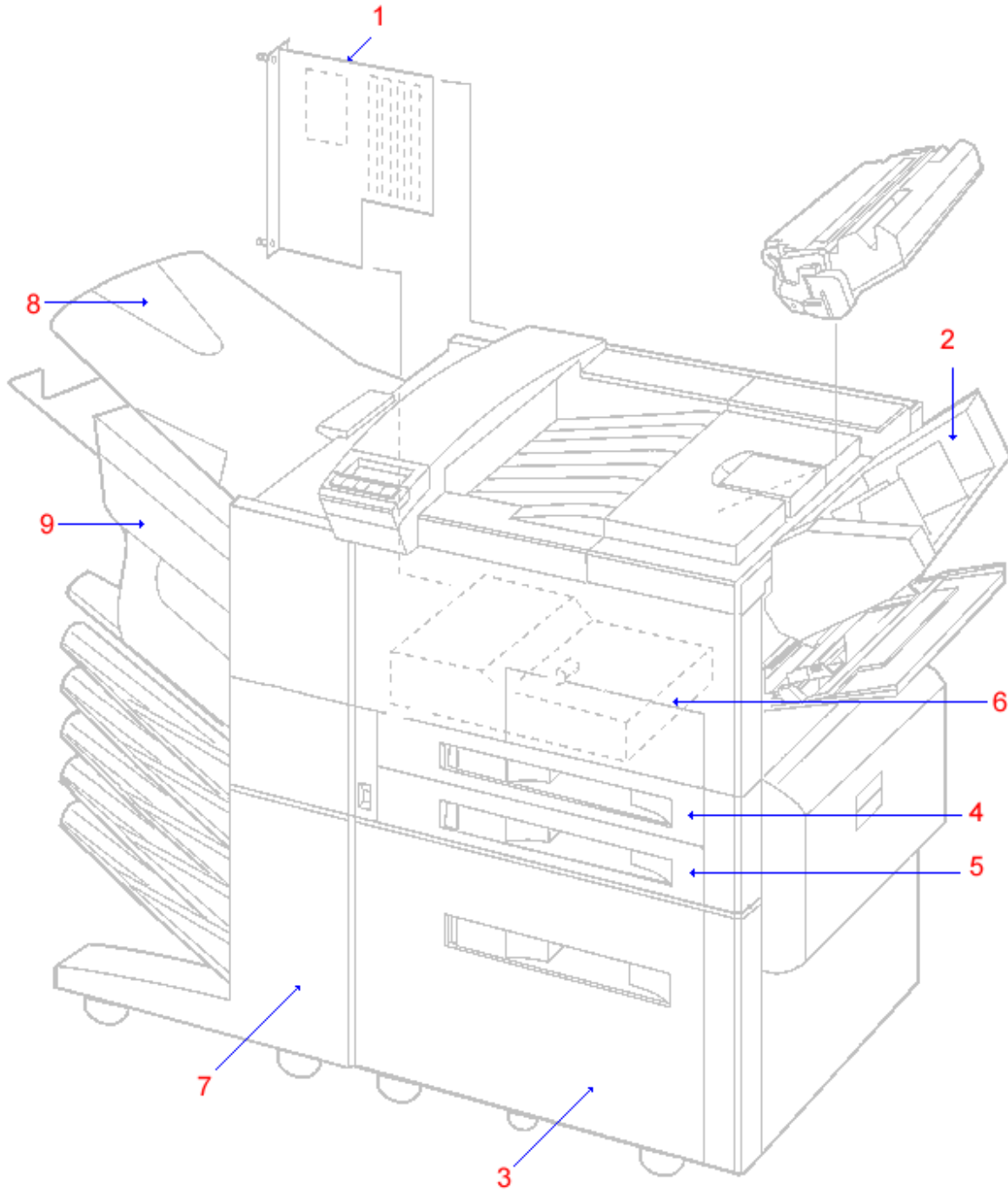


HP LaserJet 8100 Printer and Paper Handling Components Diagram



REF	PART #	DESCRIPTION
1	C4107-67901	Formatter Assembly
2	C3765-60501	Replacement optional envelope feeder - Holds 100 envelopes
3	R95-3002	2000 Sheet Input Tray
4	R98-1005	Tray 2 Assembly
5	R98-1004	Tray 3 Assembly
6	C4782-60501	Duplexer assembly - For two sided printing capability
7	C4787-60502	5-bin mailbox - Used when stapler option is present
8	RB1-6491	Face-up output tray - At upper left side
9	C4787-60500	Stapling unit - Includes top cover, bed assembly, and board