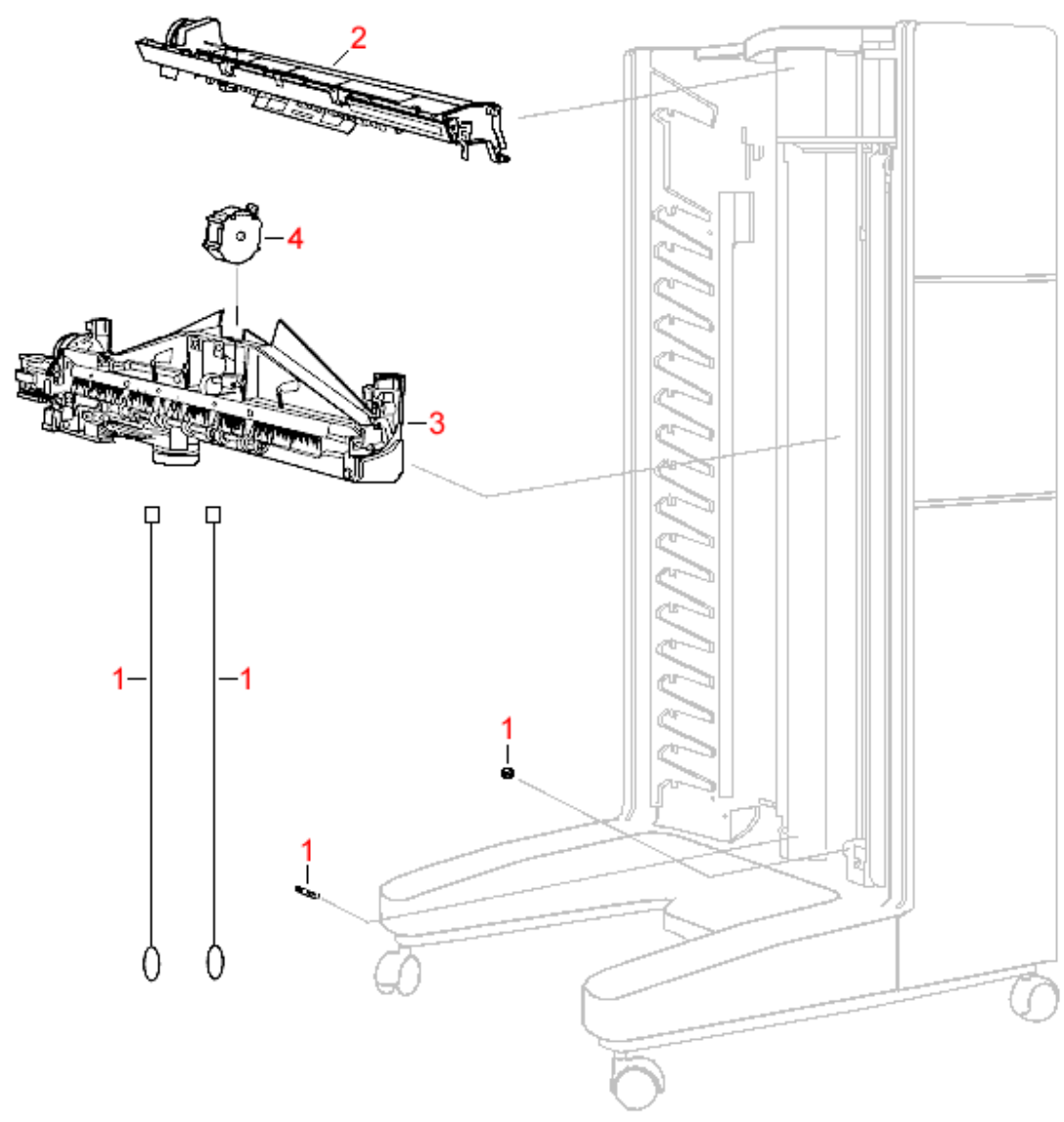


**HP LaserJet 8100  
Multi bin Mailbox (2 of 3) Diagram**



<b>REF</b>	<b>PART #</b>	<b>DESCRIPTION</b>
<b>1</b>	C4785-60519	Plastic parts kit - Contains two small bottom pulleys, flat cable holder, three small and 13 larger white plastic rollers
<b>2</b>	Q5693-67922	Flipper assembly (with cable) - Moves paper from printer to face down mailbox tray or the face up bin on top - Includes firmware chip
<b>3</b>	C4785-60523	Head assembly - Moves paper up and down the mailbox to the correct mailbox bin
<b>4</b>	C4785-60524	Metallic tape and housing assembly - Guides and holds the paper against the transport belt (Wide tape version used with the single belt transport belt system)