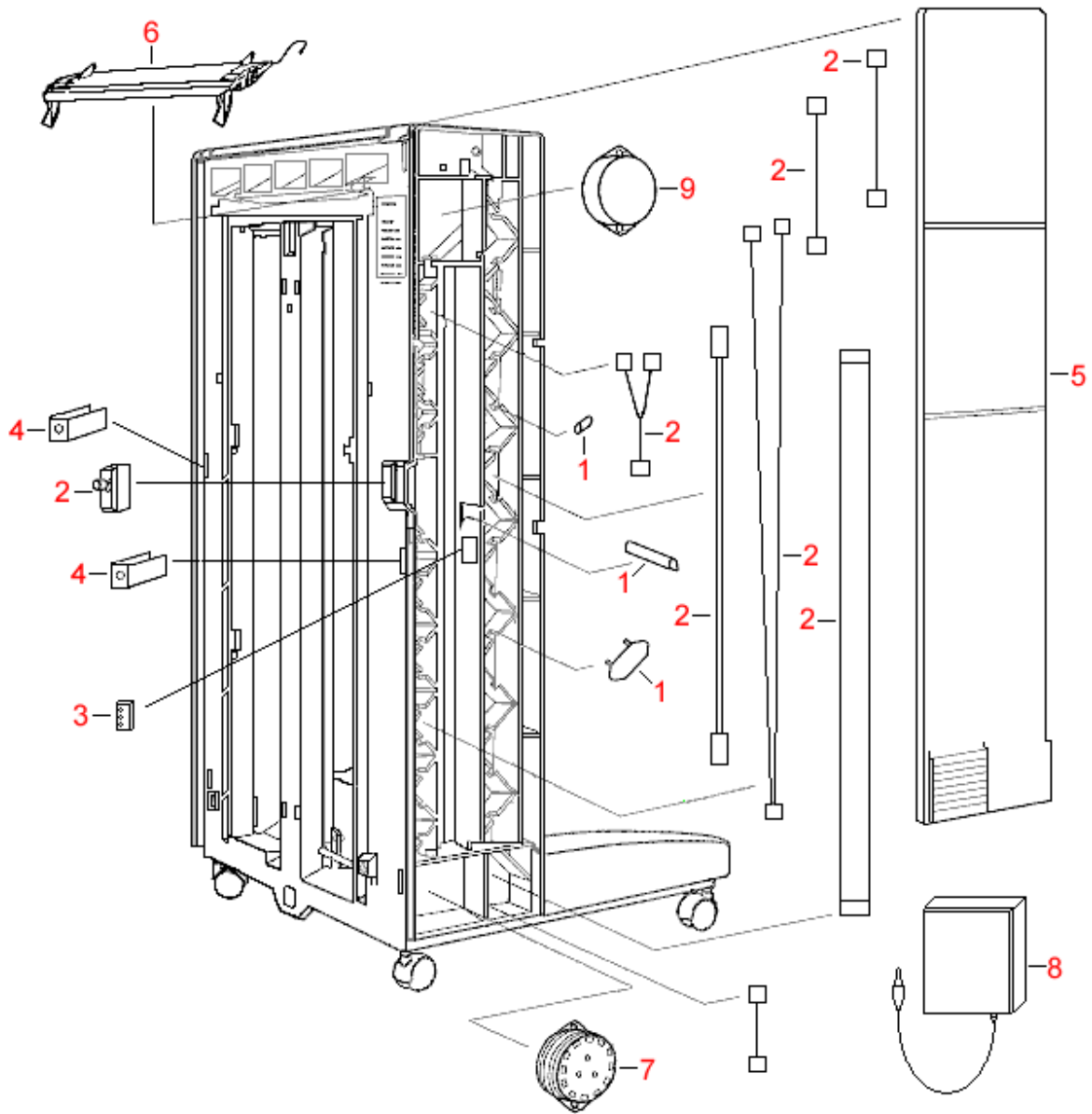


**HP LaserJet 8100  
 Multi bin Mailbox (3 of 3) Diagram**



REF	PART #	DESCRIPTION
1	C4785-60519	Plastic parts kit - Contains two small bottom pulleys, flat cable holder, three small and 13 larger white plastic rollers

<b>2</b>	C4785-60520	Cable kit - Includes interlock switch, head motor cable, flipper sensor, encoder, motor controller cables, ESD cable, and delivery head assembly flat cable
<b>3</b>	C4785-60514	Diagnostic LED display board - With cable
<b>4</b>	C4785-60512	Multi bin mailbox attachment clip - Attachment clip - Attaches multi bin mailbox to printer
<b>5</b>	C4785-60505	Side cover - Back side cover
<b>6</b>	C3764-60561	Paper input guide
<b>7</b>	C4785-60518	Transport belt motor - Includes fan
<b>8</b>	C4785-60501	Mailbox power supply
<b>9</b>	C3764-60507	Elevator stepper motor - Moves the delivery head assembly into position