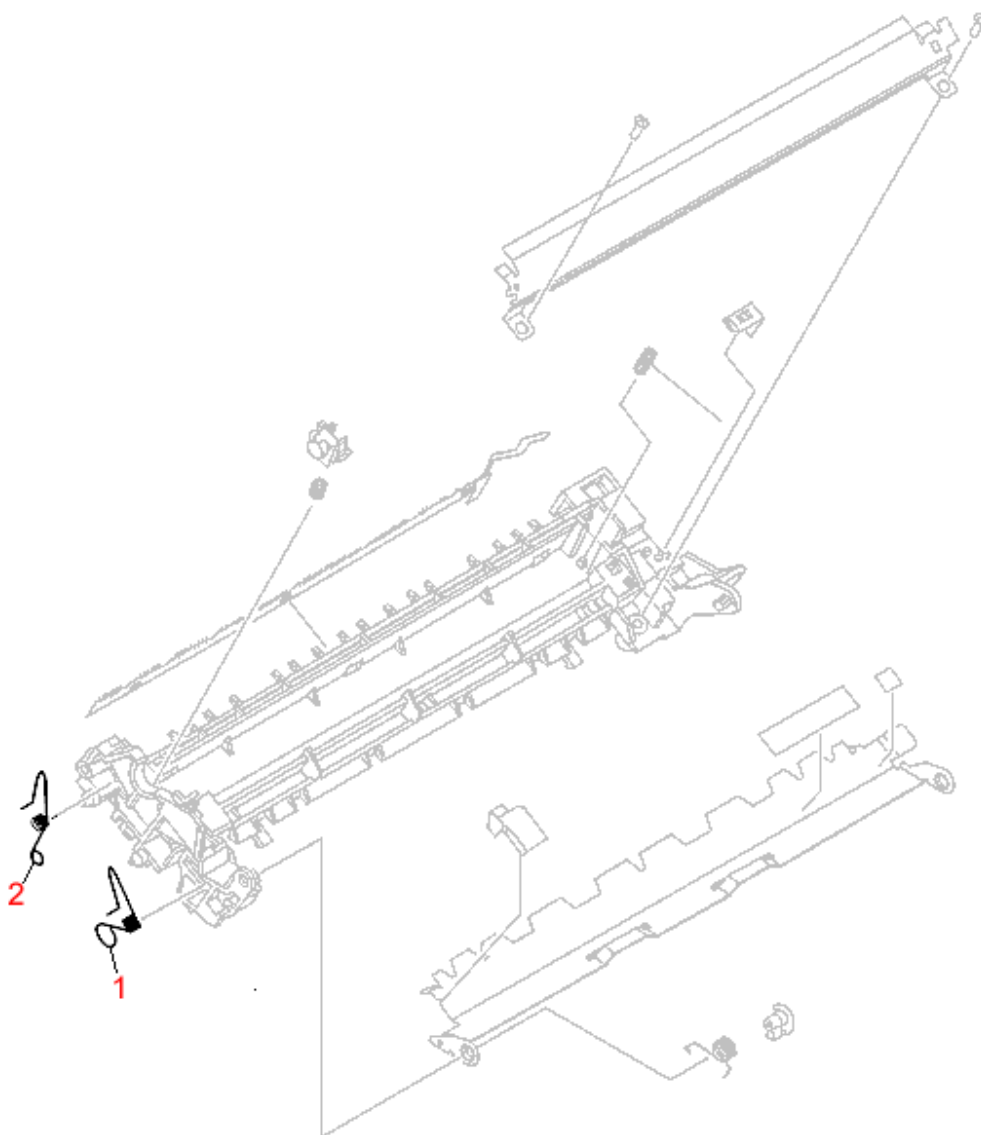


HP LaserJet 1300 Paper Feed Guide Assembly Diagram



REF	PART #	DESCRIPTION
1	RA0-	Torsion spring - Provides high voltage connection to the toner cartridge (developing

	1035	cylinder) - Mounts on the left front side of the paper feed guide assembly
2	RA0-1200	Torsion spring - Provides high voltage connection to the toner cartridge (primary charging roller) - Mounts on the left rear side of the paper feed guide assembly