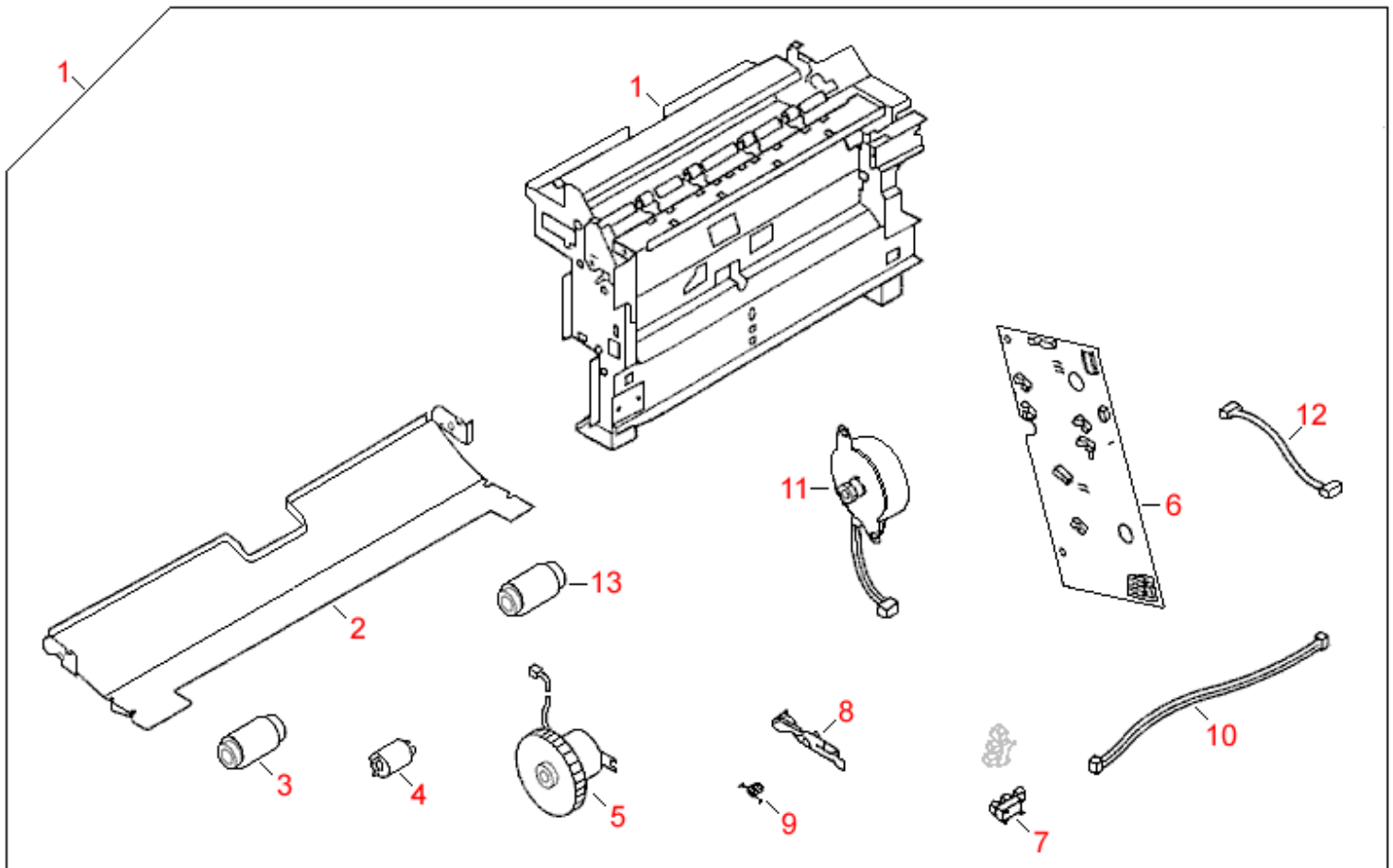


HP LaserJet 8100 Paper Pickup Assembly Diagram



REF	PART #	DESCRIPTION
1	C4214-69017	Paper pickup assembly - Includes pickup, feed and separation rollers - Picks up paper from upper and lower paper trays
2	RB1-6582	Upper paper guide plate
3	RF5-2708	Pickup roller - Used in paper pickup assembly - 2 used
4	RB2-3581	Torque limiter - Limits rotation of feed rollers
	RB2-3851	Paper pickup roller - Black and gray D-shaped roller
5	RH7-5188	Paper feed clutch - On right side of paper input unit

6	RG5-1860	Paper pickup board - Includes 8 photo sensors - Paper Pickup Board - Includes 8 Photo sensors - Mounted to Side of Paper Pickup Assembly
7	RY7-5080	Photo sensor kit - Includes photo sensors PS 1,3,5 and 6 - Photo sensor - For paper registration or paper pickup sensor - Two used
	WG8-0291	Photo sensor - Photo sensor - For paper registration or paper pickup sensor - Two used
8	RB1-6557	Paper input unit sensor arm - Senses when paper passes through paper input unit
9	RB1-6558	Sensor arm torsion spring - Holds tension on PIU paper sensor arm
10	RG5-1859	Sensor cable - PIU PS2 sensor cable - J13 to J1205
11	RH7-1350	Paper input motor - Drives rollers to pickup and feed paper from lower paper trays
12	RG5-1861	Cable assembly - 20-pin (F) connector on each end - 39.4cm (15.5in) long - Sensor cable - PIU paper sensor cable - J1201 to J219
13	RF5-1834	Feed/separation roller - Has a blue gear on one end and blue release tab on the other - Mounts in the paper input unit assembly (four used)