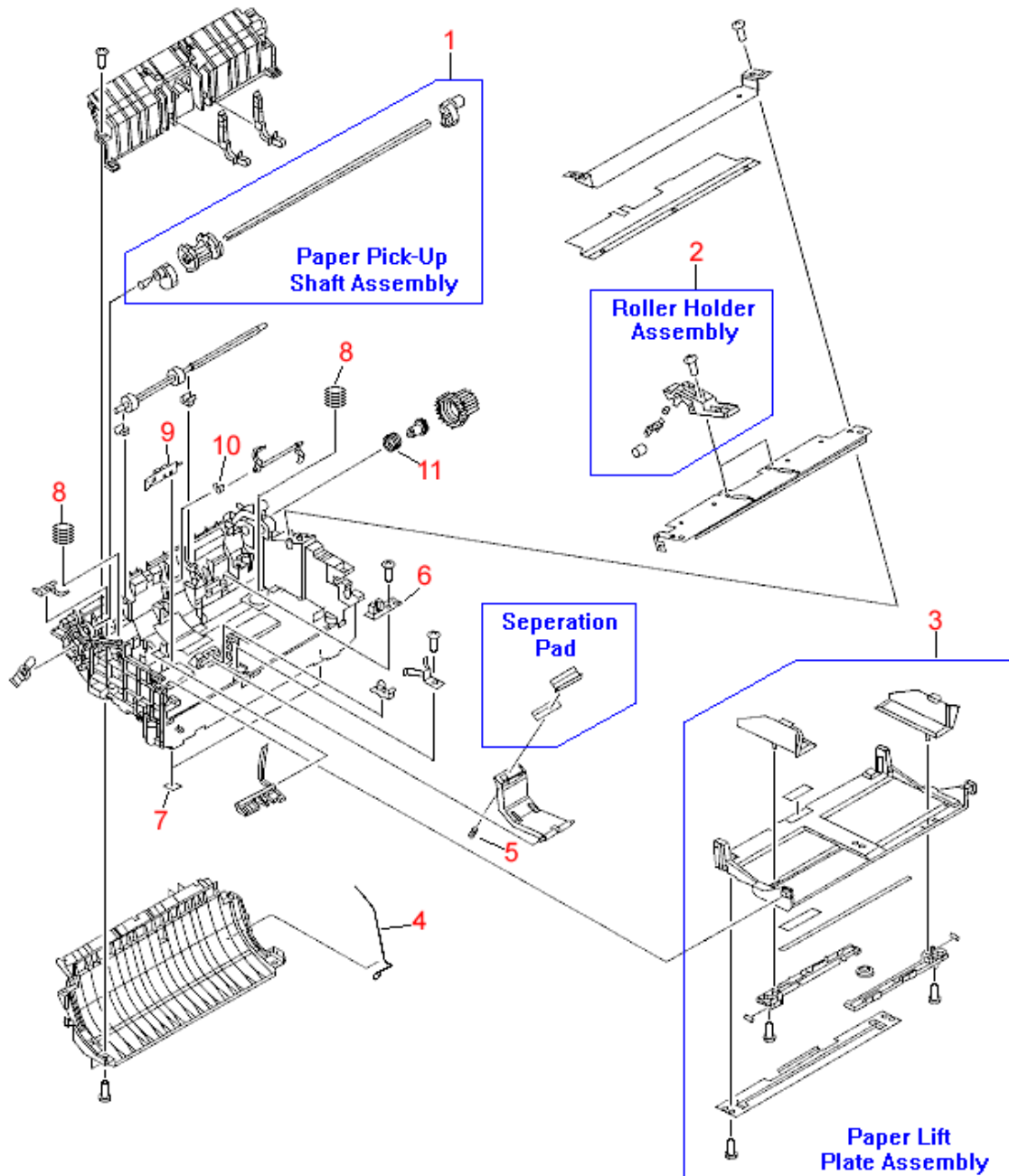


## HP LaserJet 1300 Paper Pickup Assembly Diagram



<b>REF</b>	<b>PART #</b>	<b>DESCRIPTION</b>
<b>1</b>	RM1-0533	Paper pickup shaft assembly - Includes the shaft, the two cams, pickup roller holder, and end cap - Mounts in the paper pickup assembly
<b>2</b>	RG0-1019	Roller and holder assembly - Spring loaded roller in a black plastic holder assembly - Mounts on top of the paper pickup assembly - (Two used)
<b>3</b>	RM1-0532	Lift plate assembly - Quartz Gray plastic plate with two Blue paper width adjusters - Mounts on the top front of the paper pickup assembly
<b>4</b>	RC1-1792	Torsion spring - Functions as an electrical connection between the engine control board and the transfer roller contact spring - Mounts in the lower right corner of the paper pickup assembly
<b>5</b>	RA0-1060	Compression spring - Provides upward pressure for the separation pad assembly - Mounts in the paper pickup assembly
<b>6</b>	RM1-0572	Paper sensor PC board - Small board with optical flag sensor (Flag not included) - For sensing leading edge of paper - Mounts in the bottom right of the paper pickup assembly
<b>7</b>	RA0-1003	Rubber foot - For bottom of printer - Three used
<b>8</b>	RA0-1061	Compression spring - Provides upward pressure for the rear of the lift plate assembly (two used) - Mounts on top of the paper pickup assembly
<b>9</b>	RM1-0574	Paper sensor PC board - Small board with optical flag sensor (Flag not included) - For sensing 'out of paper' in the paper tray - Mounts in the bottom left of the paper pickup assembly
<b>10</b>	RC1-1782	Torsion spring - Provides a small amount of back pressure for the paper pickup sensor flag - Mounts in the bottom rear of the paper pickup assembly
<b>11</b>	RA0-1050	Compression spring - Provides upward pressure for the separation pad assembly - Mounts in the paper pickup assembly