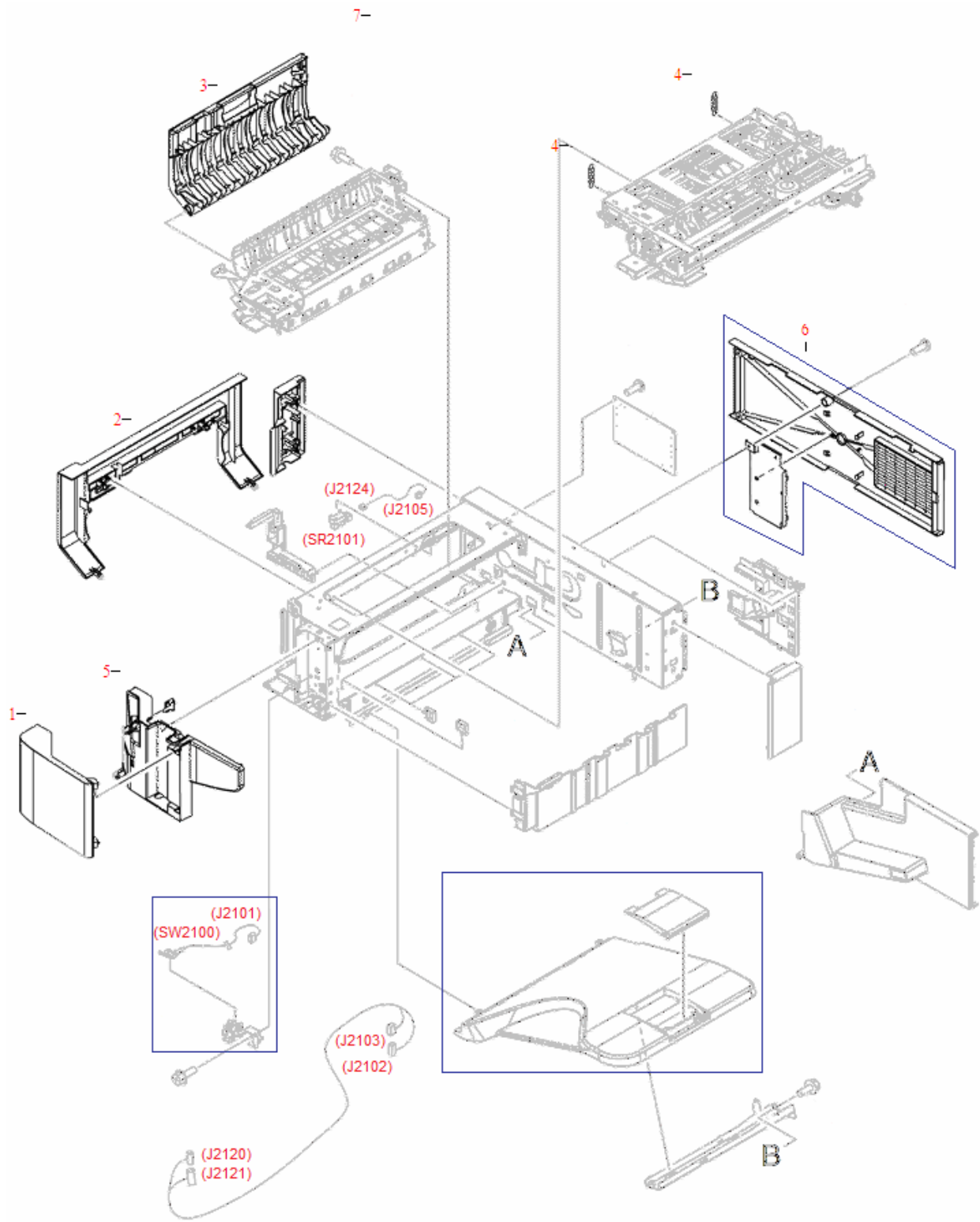


Stapler/stacker assembly main body



REF	PartNumber	Description
1	RC1-9716-000CN	Stapler access door - Rectangular shaped door that provides access to the stapler
2	RC1-9718-000CN	Stapler left cover
3	RC1-9719-000CN	Clean out access door - Left side door that provides access to paper jams
4	RU5-2731-000CN	Tension spring - Located on the back of the jog guide assembly - Springs that holds the jog guide assembly from the back (two use)
5	RM1-3094-000CN	Stapler cartidge cover - Located on the right side of the stapler/stacker main assembly
6	RM1-3095-000CN	Rear cover assembly - For the stapler/stacker main body assembly - Includes the front frame shield plate
7	Q7604-67901	500 sheet stapler stacker paper assembly