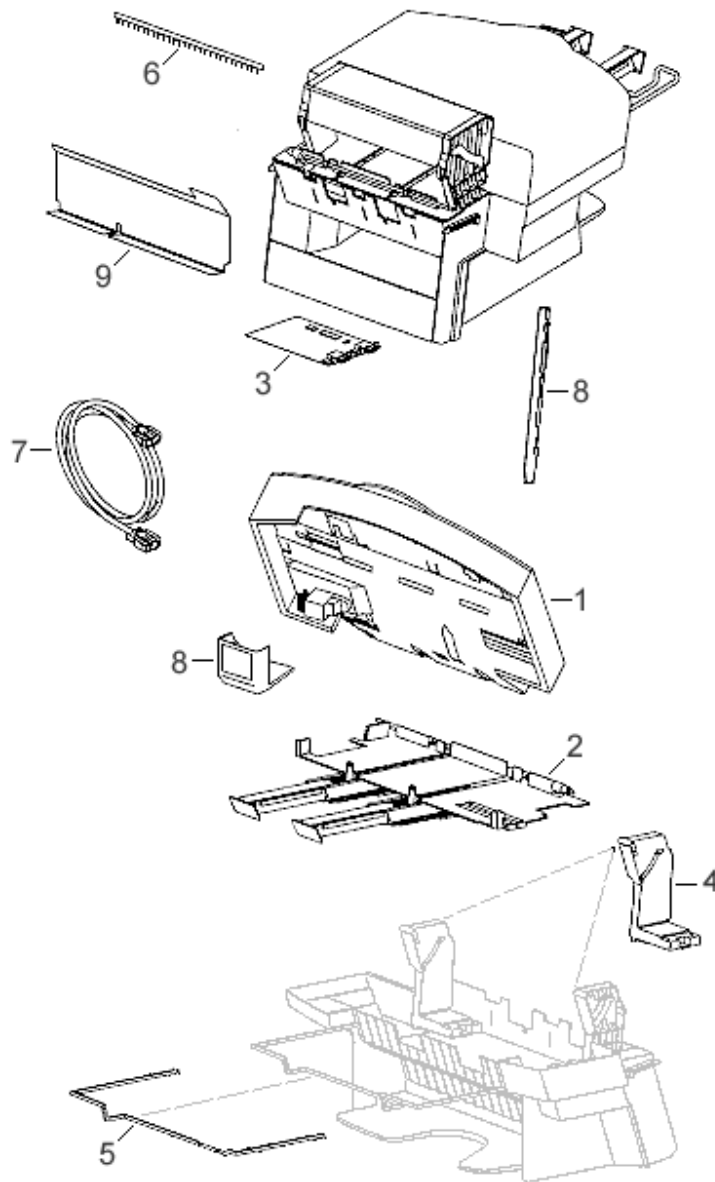


HP LaserJet 8100 Stapler Diagram



REF	PART #	DESCRIPTION
1	C3766-60501	Stapling unit top cover

2	C3766-60503	Stapling unit bed assembly - Includes sliders that move sheets of paper to stapling position
3	C4787-60514	Stapling unit control board - Stapling Unit Control Board - Mounted Behind Back Plate
4	C3766-60506	Stapling unit hinges - Set of 2
5	C3766-60507	Paper exit guide (Wire-form) - Mounts in the paper exit of the stapling unit
6	C3766-60508	Stapling unit antistatic brush - Eliminates static charge on paper
7	C4787-60507	Stapler unit C-link cable - Has two high density 15-pin (M) connectors - 91.4cm (36in) long - From multi bin mailbox to stapler unit
8	C3766-60510	Stapling unit kit - Includes plastic staple cover, scan bar, bin full sensor, actuator, and flag
9	C3766-60505	Stapling Unit Back Plate - Covers rear of Stapling Unit