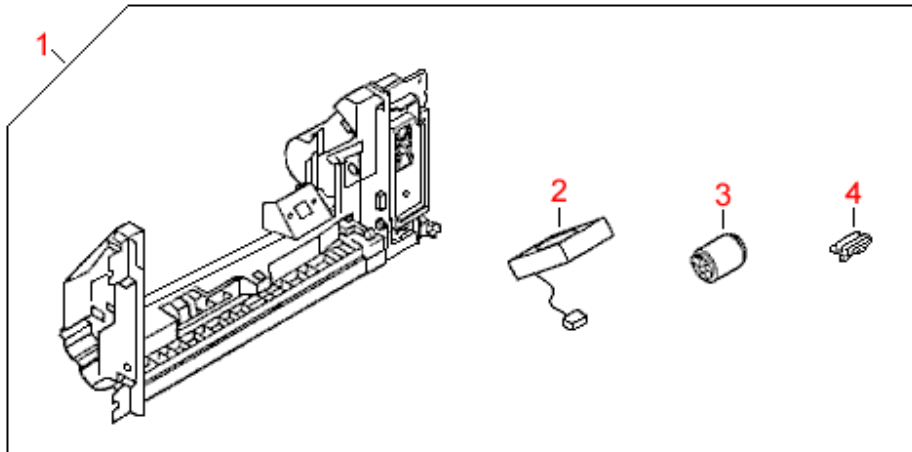


HP LaserJet 8100 Tray 1 Assembly Diagram



REF	PART #	DESCRIPTION
1	RG5-4330	Paper pickup assembly - For multipurpose/tray one paper input
2	RH7-1397	Tube axial fan - (FM5) - Mounts in the tray 1 paper pickup assembly
3	RB1-9526	Pickup roller - Used in tray 1 paper pickup assembly
4	RF5-2703	Separation pad - Tray 1 separation pad